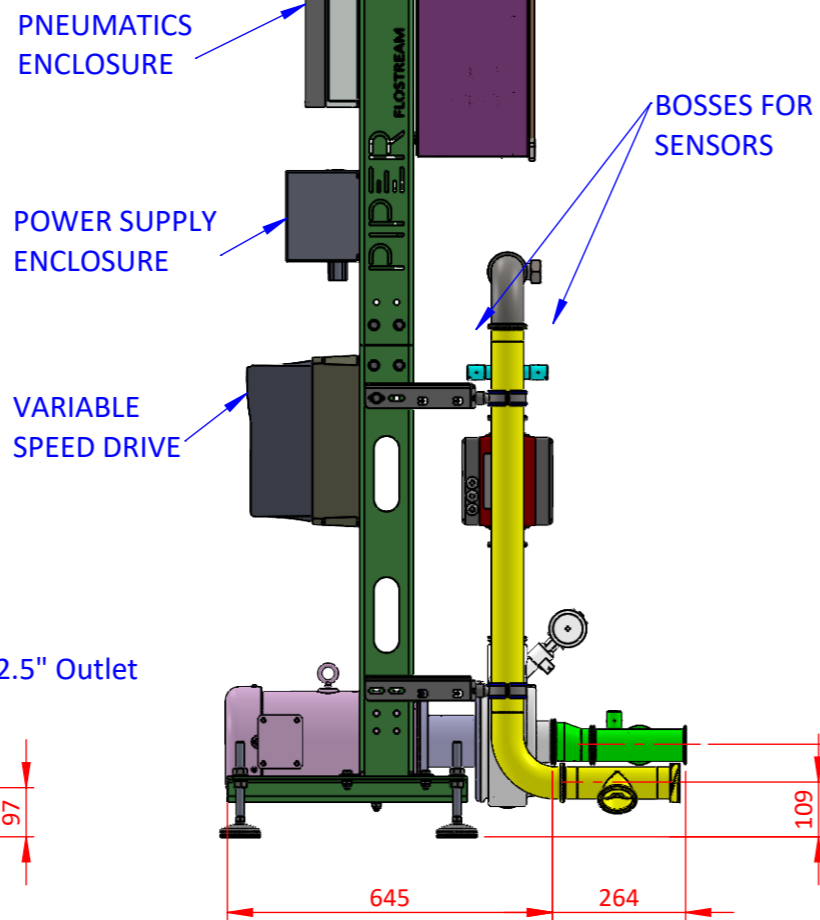
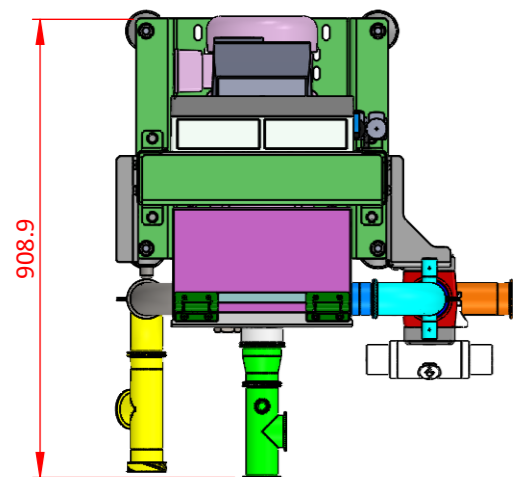


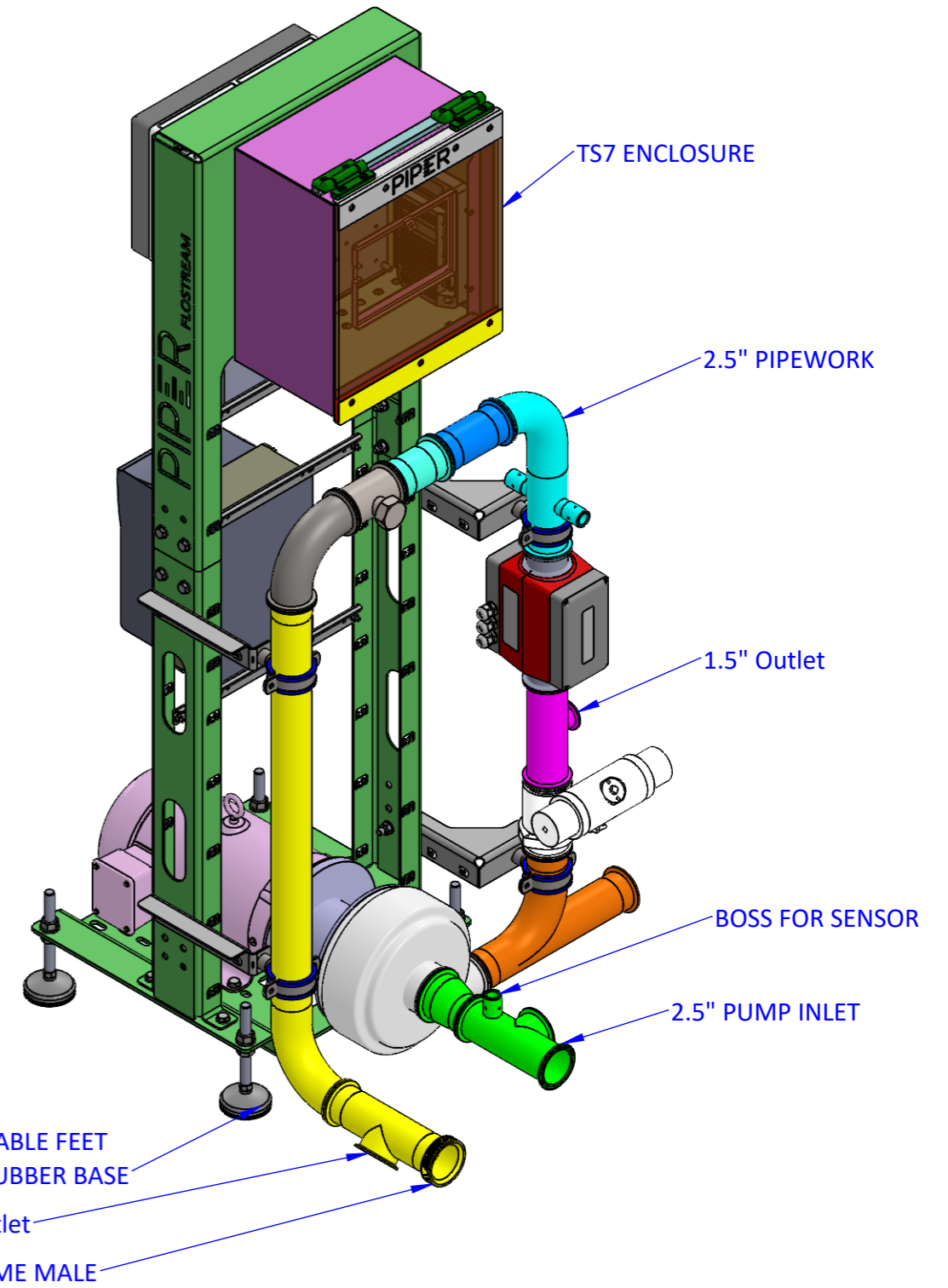
ELEVATION



END VIEW



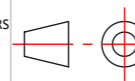
PLAN



ISOMETRIC VIEW

2.5" PIPEWORK

UNLESS OTHERWISE SPECIFIED:  
DIMENSIONS ARE IN MILLIMETERS  
TOLERANCES:  
LINEAR: ±2mm  
ANGULAR: ±1°



**PIPER**

Piper Systems Ltd.,  
Unit 3,  
Sunnybank Business Centre  
Bray, Co. Wicklow, Ireland.  
PH:+353 (0)1 282 9844  
www.pipersystems.com

NAME	DATE
DRAWN BY: R Wilson	17/12/2024
CHK'D BY:	
MATERIAL:	
FINISH:	

EVERY PRECIOUS DROP

Client:  
Piper Systems

THIS DRAWING AND DESIGN REMAINS THE PROPERTY OF PIPER SYSTEMS LTD. IT MAY NOT BE REPRODUCED IN WHOLE OR PART OR USED FOR MANUFACTURING PURPOSES WITHOUT PRIOR WRITTEN CONSENT FROM DC PIPER SYSTEMS LTD.

Project:  
6494-ASM-01

DEBUR AND BREAK SHARP EDGES

DO NOT SCALE DRAWING

SHEET 2 OF 2

A3

REVISION