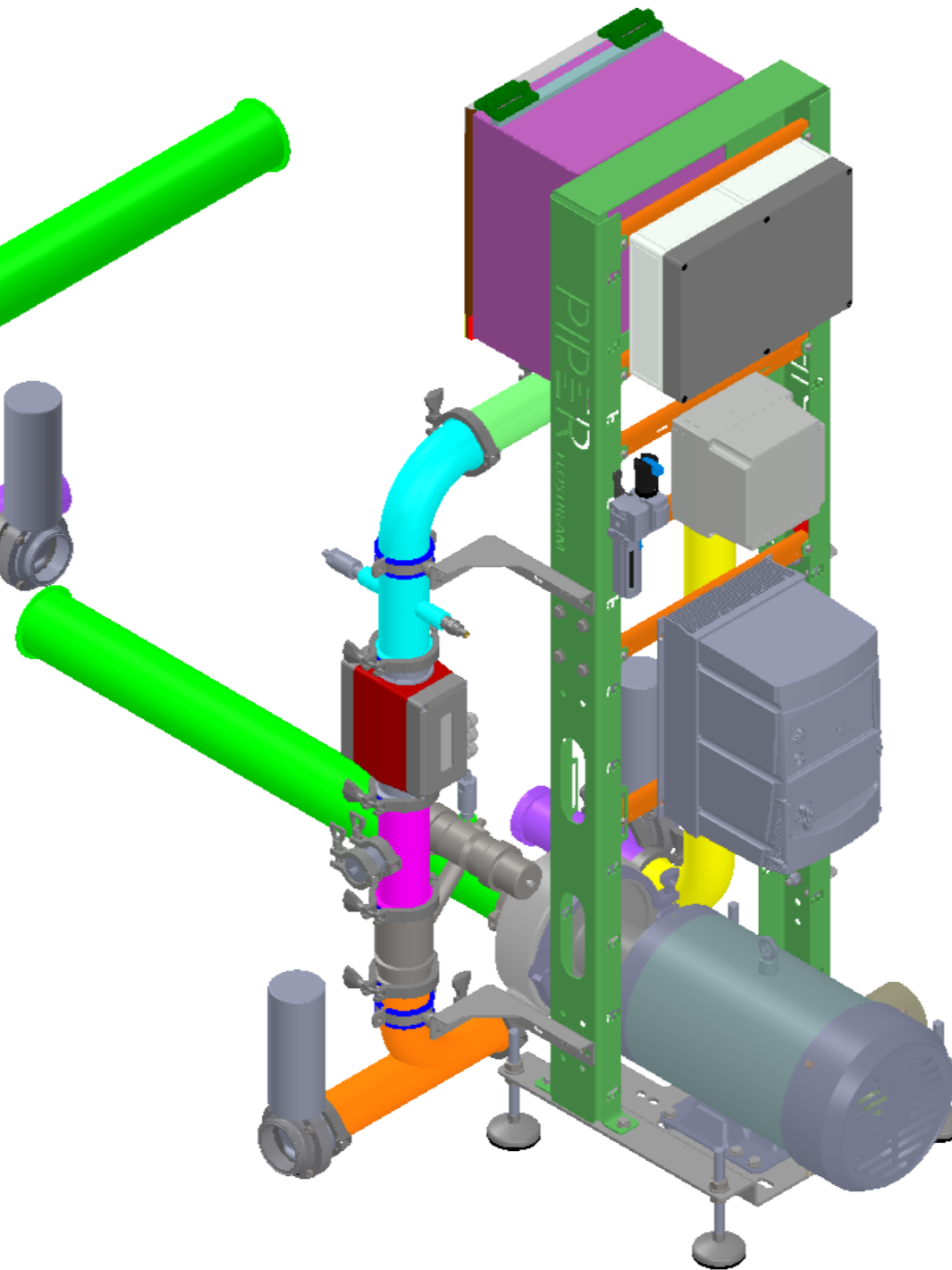
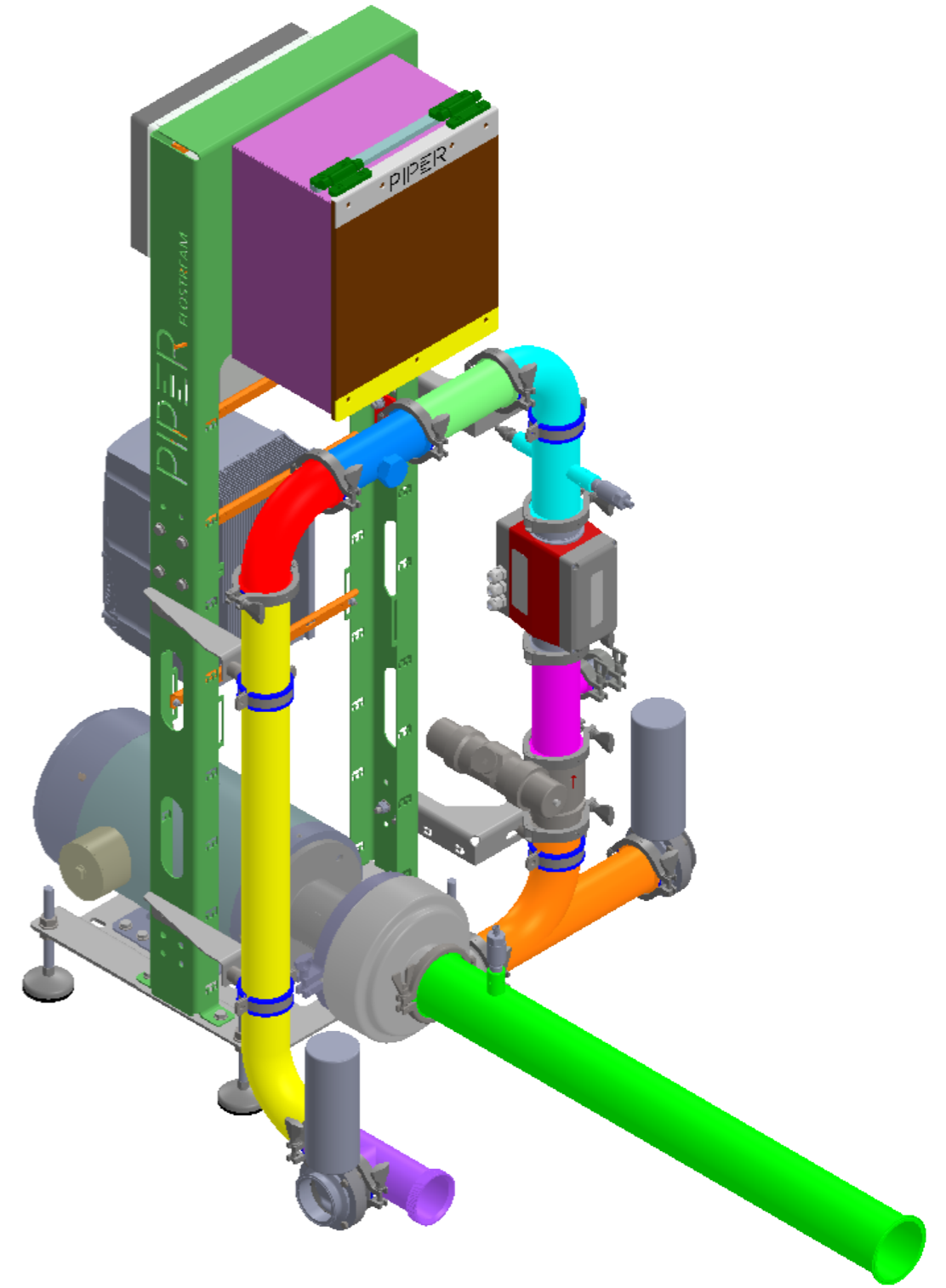


REAR ISOMETRIC VIEW 2

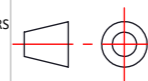


REAR ISOMETRIC VIEW 1



ISOMETRIC VIEW

UNLESS OTHERWISE SPECIFIED:
DIMENSIONS ARE IN MILLIMETERS
TOLERANCES:
LINEAR: ±2mm
ANGULAR: ±1°



NAME	DATE
DRAWN BY: R Wilson	23/01/2026
CHK'D BY:	
MATERIAL:	
FINISH:	

THIS DRAWING AND DESIGN REMAINS THE PROPERTY OF PIPER SYSTEMS LTD. IT MAY NOT BE REPRODUCED IN WHOLE OR PART OR USED FOR MANUFACTURING PURPOSES WITHOUT PRIOR WRITTEN CONSENT FROM DC PIPER SYSTEMS LTD.

DEBUR AND BREAK SHARP EDGES

PIPER
EVERY PRECIOUS DROP

Piper Systems Ltd.,
Unit 3,
Sunnybank Business Centre
Bray, Co. Wicklow, Ireland.
PH:+353 (0)1 282 9844
www.pipersystems.com

Client:
Piper Systems

Project:
6934-ASM-Instructions

A3

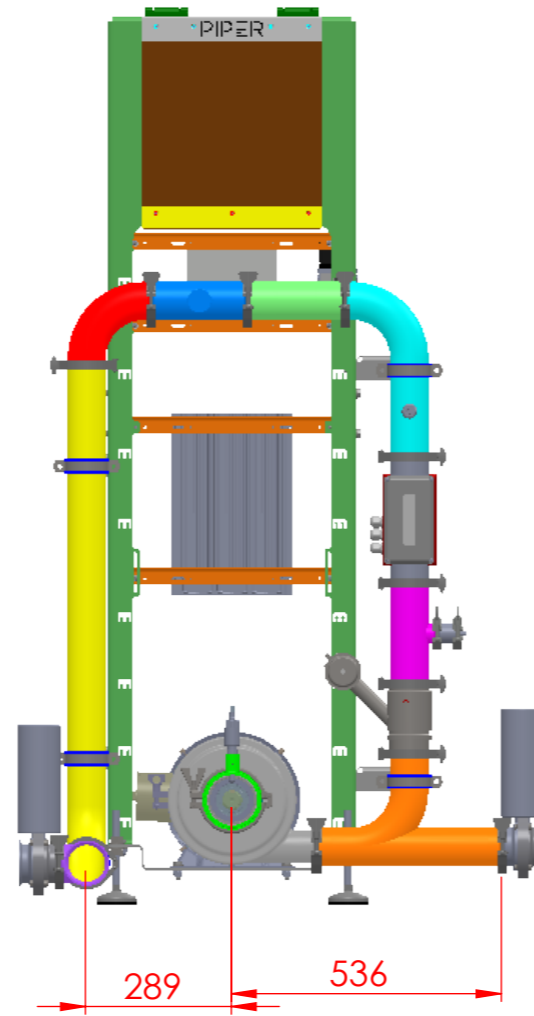
REVISION

DO NOT SCALE DRAWING

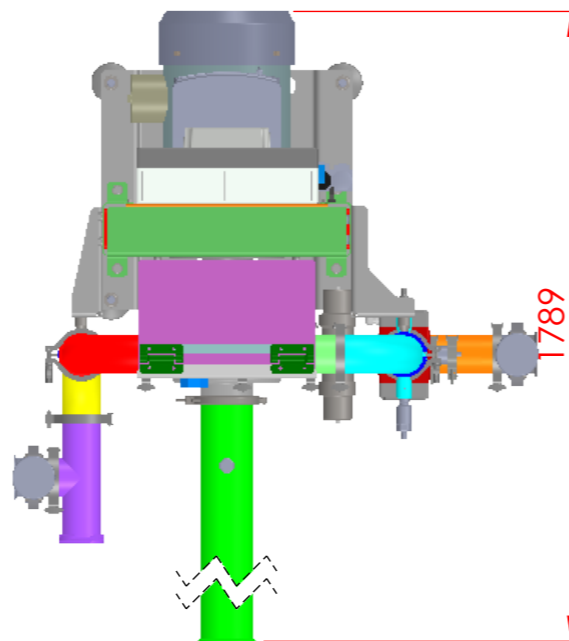
SHEET 1 OF 13

BOM Table

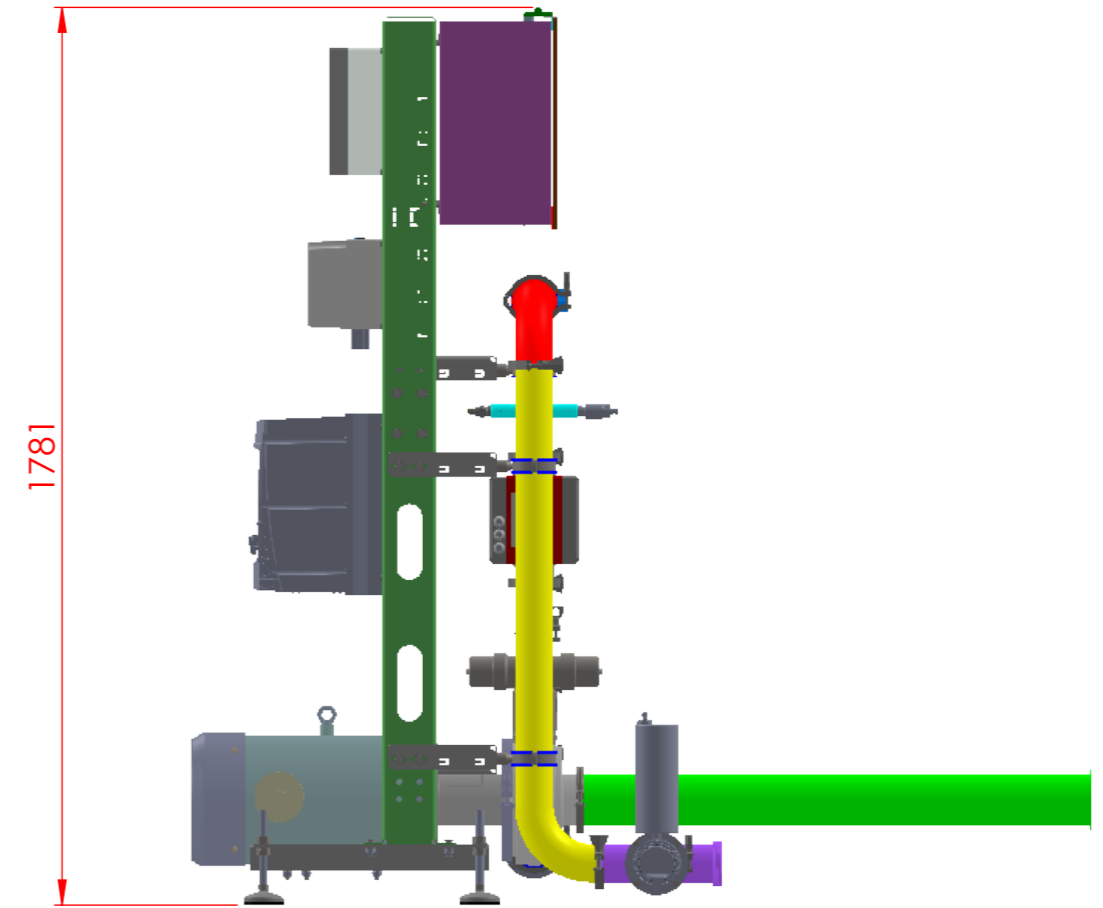
ITEM NO.	DESCRIPTION	PART TYPE	QTY.
1	M10 Flat Washer	Fastener	54
2	M10 Locknut	Fastener	26
3	M10 x 30 Hex Head A4-80	Fastener	28
4	M16 Ord Nut-A2-70	Fastener	8
5	M6 Nyloc Nut	Fastener	12
6	M6 x 20 Hex Bolt	Fastener	12
7	M16 Flat Washer	Fastener	8
8	M6 Flat Washer	Fastener	24
9	Air Prep Unit	Free Issue	1
10	Lumaco 3" BF Valve	Free Issue	1
11	7 Port Sampling Tee	Free Issue	1
12	Air Box	Free Issue	1
13	10 Hp Pump	Free Issue	1
14	Electrical Enclosure	Free Issue	1
15	PARPT0001-Liquid Probe 11mm	Free Issue	1
16	PARPR005-Liquid Probe 38mm	Free Issue	1
17	PARPRO0002-Temp Probe	Free Issue	1
18	Invertek VSD	Free Issue	1
19	PD340 Flowmeter	Free Issue	1
20	Frame Leg	Laser Cut	2
21	Frame Top	Laser Cut	1
22	Leg Joiner Plate	Laser Cut	2
23	Mounting Strap	Laser Cut	6
24	Pipe Clip Bracket	Laser Cut	2
25	3" 90 Deg Elbow C_C	Pipe Fitting	1
26	3" x 1.5" Reducing Tee-Clamped	Pipe Fitting	1
27	3" Swept Tee	Pipe Spool	1
28	Double Sensor Spool	Pipe Spool	1
29	Sampling Tee Spool	Pipe Spool	1
30	Vertical Spool	Pipe Spool	1
31	Pump Suction Pipe	Pipe Spool	1
32	End Connection Spool	Pipe Spool	1
33	3" Triclover Gasket	Purchased	10
34	3" Triclover Clamp	Purchased	10
35	4" Triclover Gasket	Purchased	1
36	4" Triclover Clamp	Purchased	1
37	M16 x 150 Adj Foot	Purchased	4
38	Rubber Lined Pipe Clip	Purchased	4
39	RHS Pipe Clip Bracket	Laser Cut	2



ELEVATION



PLAN



END VIEW

UNLESS OTHERWISE SPECIFIED: DIMENSIONS ARE IN MILLIMETERS TOLERANCES: LINEAR: ±2mm ANGULAR: ±1°		
NAME	DATE	
DRAWN BY: R Wilson	23/01/2026	
CHK'D BY:		
MATERIAL:		
FINISH:		
THIS DRAWING AND DESIGN REMAINS THE PROPERTY OF PIPER SYSTEMS LTD. IT MAY NOT BE REPRODUCED IN WHOLE OR PART OR USED FOR MANUFACTURING PURPOSES WITHOUT PRIOR WRITTEN CONSENT FROM PIPER SYSTEMS LTD.		
DEBUR AND BREAK SHARP EDGES		

PIPER **Piper Systems Ltd.,**
 Unit 3,
 Sunnybank Business Centre
 Bray, Co. Wicklow, Ireland.
 PH:+353 (0)1 282 9844
 www.pipersystems.com

EVERY PRECIOUS DROP

Client:
Piper Systems

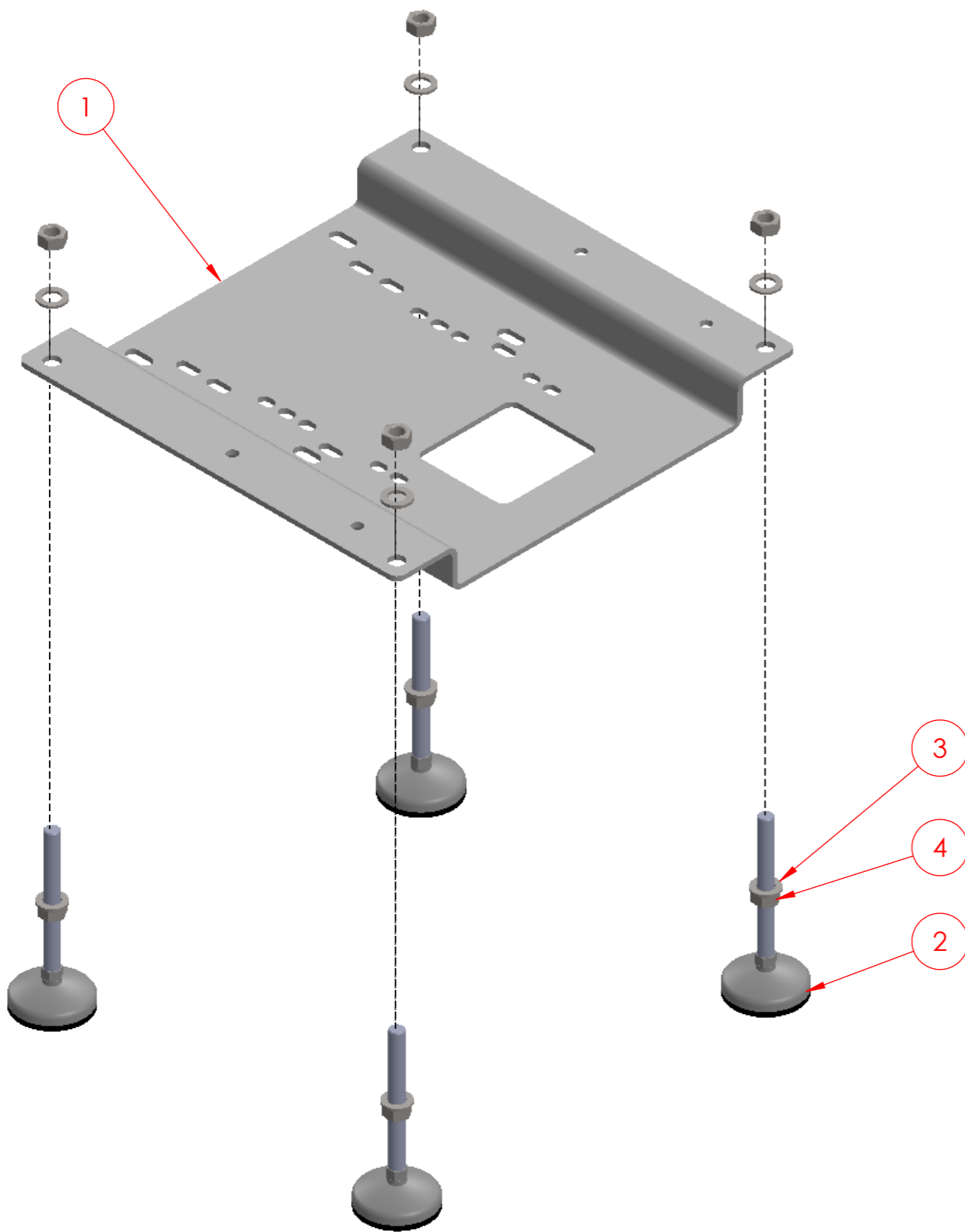
Project:
6934-ASM-Instructions

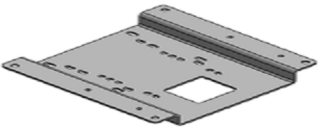
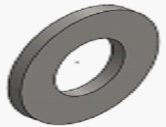
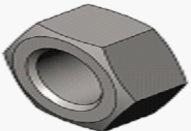
DO NOT SCALE DRAWING

SHEET 2 OF 13

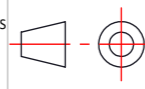
A3
 REVISION

STEP 1



BOM Table			
DOCUMENT PREVIEW	ITEM NO.	DESCRIPTION	QTY.
	1	FloStream Base Plate	1
	2	M16 x 150 Adj Foot	4
	3	M16 Flat Washer	8
	4	M16 Ord Nut-A2-70	8

UNLESS OTHERWISE SPECIFIED:
DIMENSIONS ARE IN MILLIMETERS
TOLERANCES:
LINEAR: ±2mm
ANGULAR: ±1°



PIPER

Piper Systems Ltd.,
Unit 3,
Sunnybank Business Centre
Bray, Co. Wicklow, Ireland.
PH:+353 (0)1 282 9844
www.pipersystems.com

NAME	DATE
DRAWN BY: R Wilson	23/01/2026
CHK'D BY:	
MATERIAL:	
FINISH:	

EVERY PRECIOUS DROP

Client:
Piper Systems

THIS DRAWING AND DESIGN REMAINS THE PROPERTY OF PIPER SYSTEMS LTD. IT MAY NOT BE REPRODUCED IN WHOLE OR PART OR USED FOR MANUFACTURING PURPOSES WITHOUT PRIOR WRITTEN CONSENT FROM DC PIPER SYSTEMS LTD.

Project:
6934-ASM-Instructions

A3

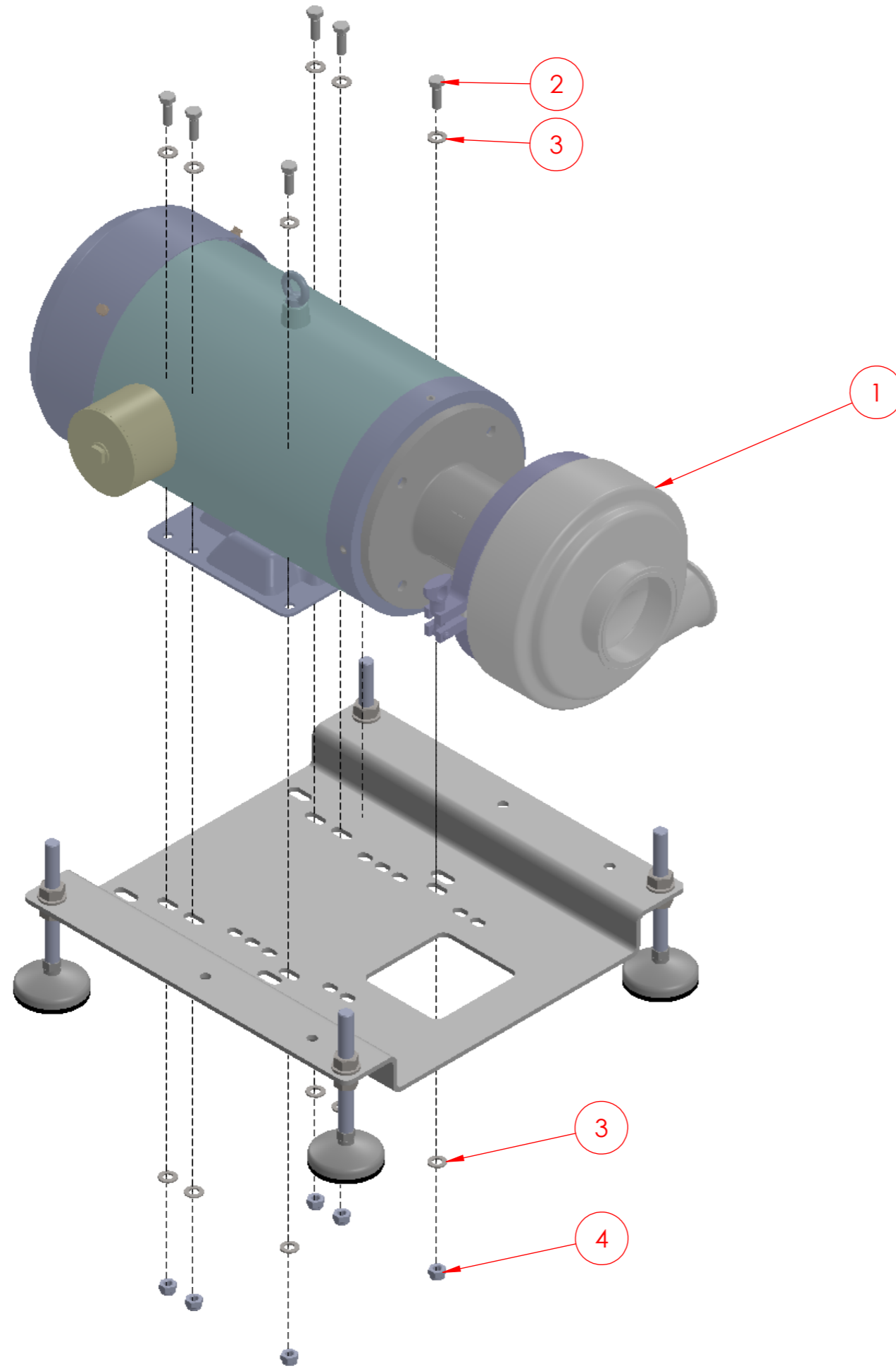
REVISION

DEBUR AND BREAK SHARP EDGES

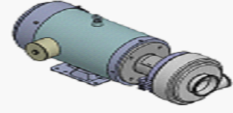
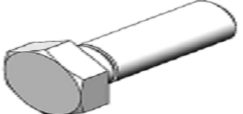

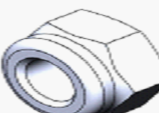
DO NOT SCALE DRAWING

SHEET 3 OF 13

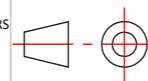
STEP 2



EXPLODED ISOMETRIC VIEW

BOM Table			
DOCUMENT PREVIEW	ITEM NO.	DESCRIPTION	QTY.
	1	10 Hp Pump	1
	2	M10 x 30 Hex Head A4-80	6
	3	M10 Flat Washer	12
	4	M10 Locknut	6

UNLESS OTHERWISE SPECIFIED:
DIMENSIONS ARE IN MILLIMETERS
TOLERANCES:
LINEAR: ±2mm
ANGULAR: ±1°



NAME	DATE
DRAWN BY: R Wilson	23/01/2026
CHK'D BY:	
MATERIAL:	
FINISH:	

THIS DRAWING AND DESIGN REMAINS THE PROPERTY OF PIPER SYSTEMS LTD. IT MAY NOT BE REPRODUCED IN WHOLE OR PART OR USED FOR MANUFACTURING PURPOSES WITHOUT PRIOR WRITTEN CONSENT FROM DC PIPER SYSTEMS LTD.

PIPER
EVERY PRECIOUS DROP

Piper Systems Ltd.,
Unit 3,
Sunnybank Business Centre
Bray, Co. Wicklow, Ireland.
PH:+353 (0)1 282 9844
www.pipersystems.com

Client:
Piper Systems

Project:
6934-ASM-Instructions

DEBUR AND BREAK SHARP EDGES

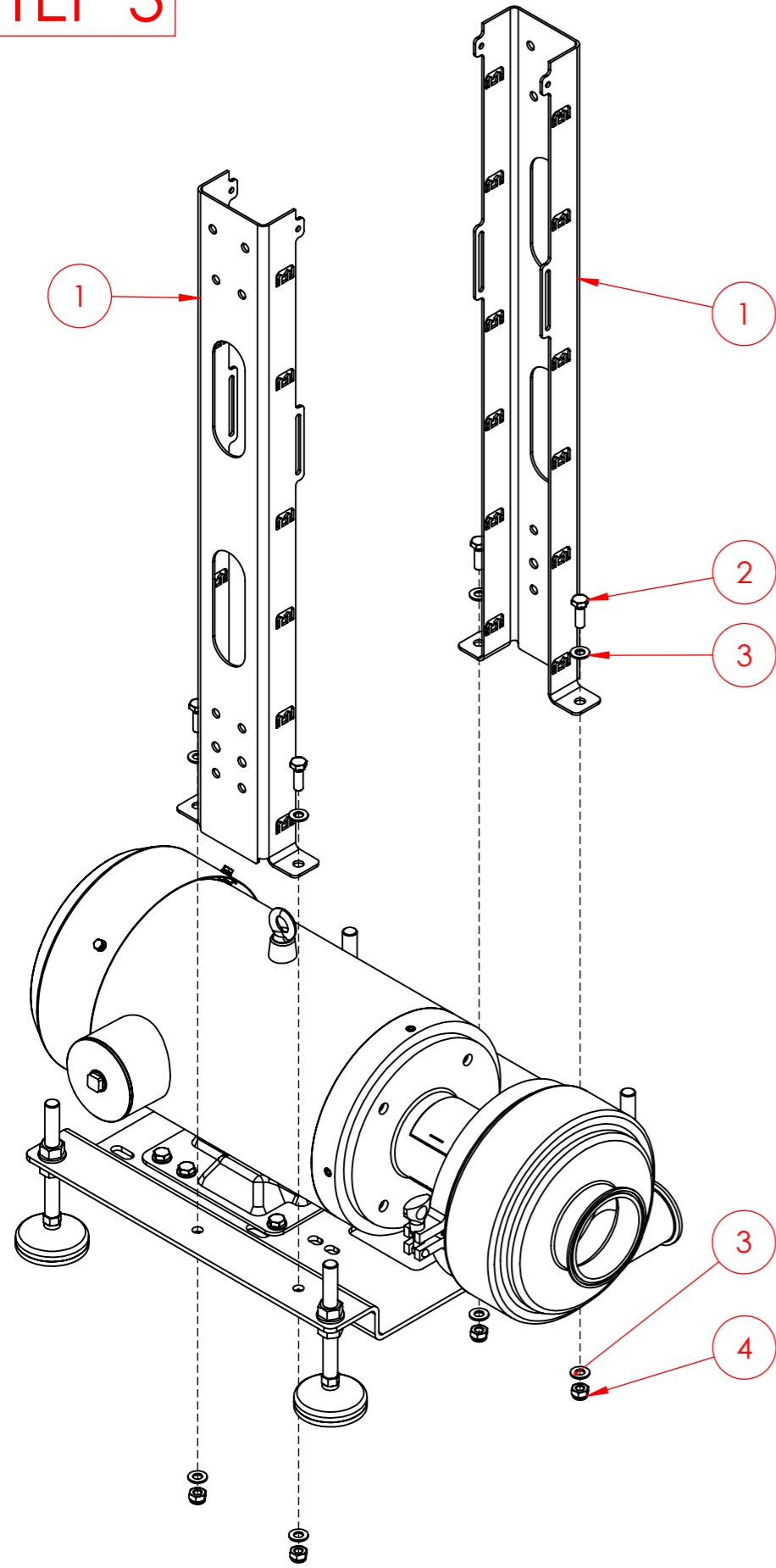
DO NOT SCALE DRAWING

SHEET 4 OF 13

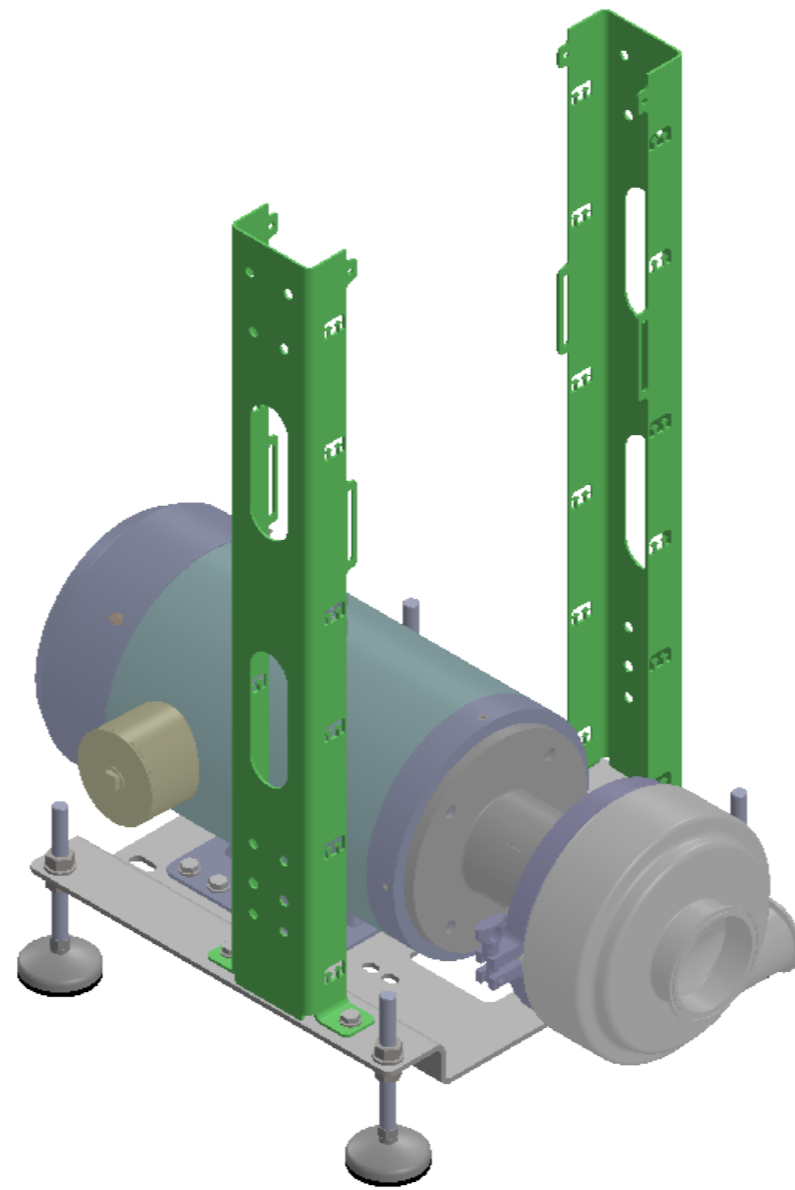
A3

REVISION

STEP 3



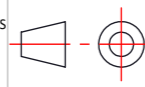
EXPLODED ISOMETRIC VIEW



ISOMETRIC VIEW

BOM Table			
DOCUMENT PREVIEW	ITEM NO.	DESCRIPTION	QTY.
	1	Frame Leg	2
	2	M10 x 30 Hex Head A4-80	4
	3	M10 Flat Washer	8
	4	M10 Locknut	4

UNLESS OTHERWISE SPECIFIED:
DIMENSIONS ARE IN MILLIMETERS
TOLERANCES:
LINEAR: ±2mm
ANGULAR: ±1°



NAME	DATE
DRAWN BY: R Wilson	23/01/2026
CHK'D BY:	
MATERIAL:	
FINISH:	

THIS DRAWING AND DESIGN REMAINS THE PROPERTY OF PIPER SYSTEMS LTD. IT MAY NOT BE REPRODUCED IN WHOLE OR PART OR USED FOR MANUFACTURING PURPOSES WITHOUT PRIOR WRITTEN CONSENT FROM PIPER SYSTEMS LTD.

DEBUR AND BREAK SHARP EDGES

PIPER
EVERY PRECIOUS DROP

Piper Systems Ltd.,
Unit 3,
Sunnybank Business Centre
Bray, Co. Wicklow, Ireland.
PH:+353 (0)1 282 9844
www.pipersystems.com

Client:
Piper Systems

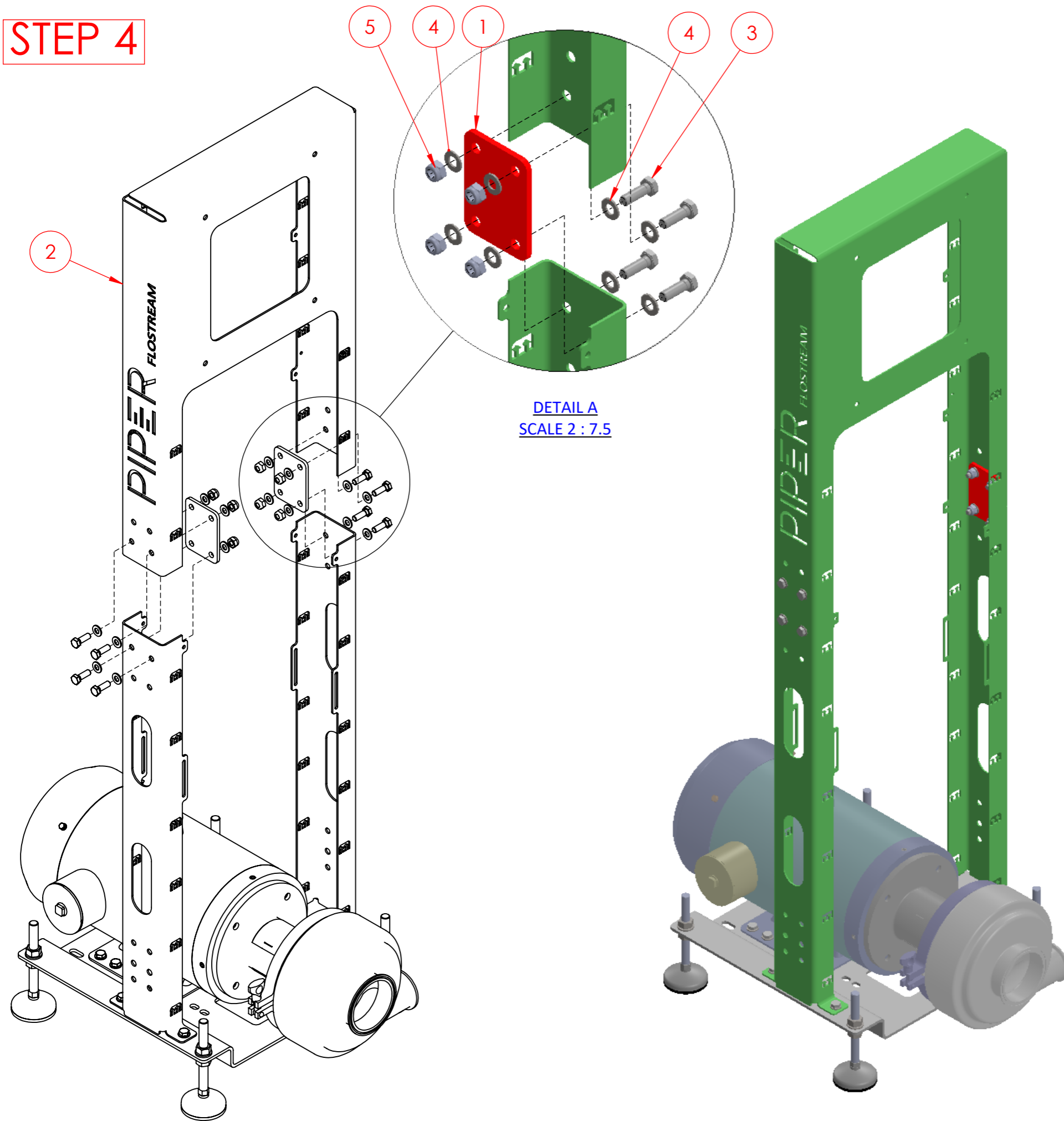
Project:
6934-ASM-Instructions

DO NOT SCALE DRAWING

SHEET 5 OF 13

A3
REVISION

STEP 4



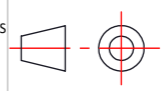
DETAIL A
SCALE 2 : 7.5

EXPLODED ISOMETRIC VIEW

ISOMETRIC VIEW

BOM Table			
DOCUMENT PREVIEW	ITEM NO.	DESCRIPTION	QTY.
	1	Leg Joiner Plate	2
	2	Frame Top	1
	3	M10 x 30 Hex Head A4-80	8
	4	M10 Flat Washer	16
	5	M10 Locknut	8

UNLESS OTHERWISE SPECIFIED:
DIMENSIONS ARE IN MILLIMETERS
TOLERANCES:
LINEAR: ±2mm
ANGULAR: ±1°


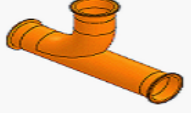






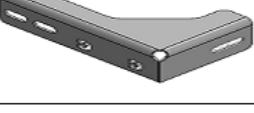
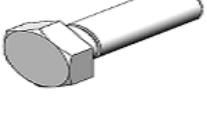




NAME	DATE
DRAWN BY: R Wilson	23/01/2026
CHK'D BY:	
MATERIAL:	
FINISH:	

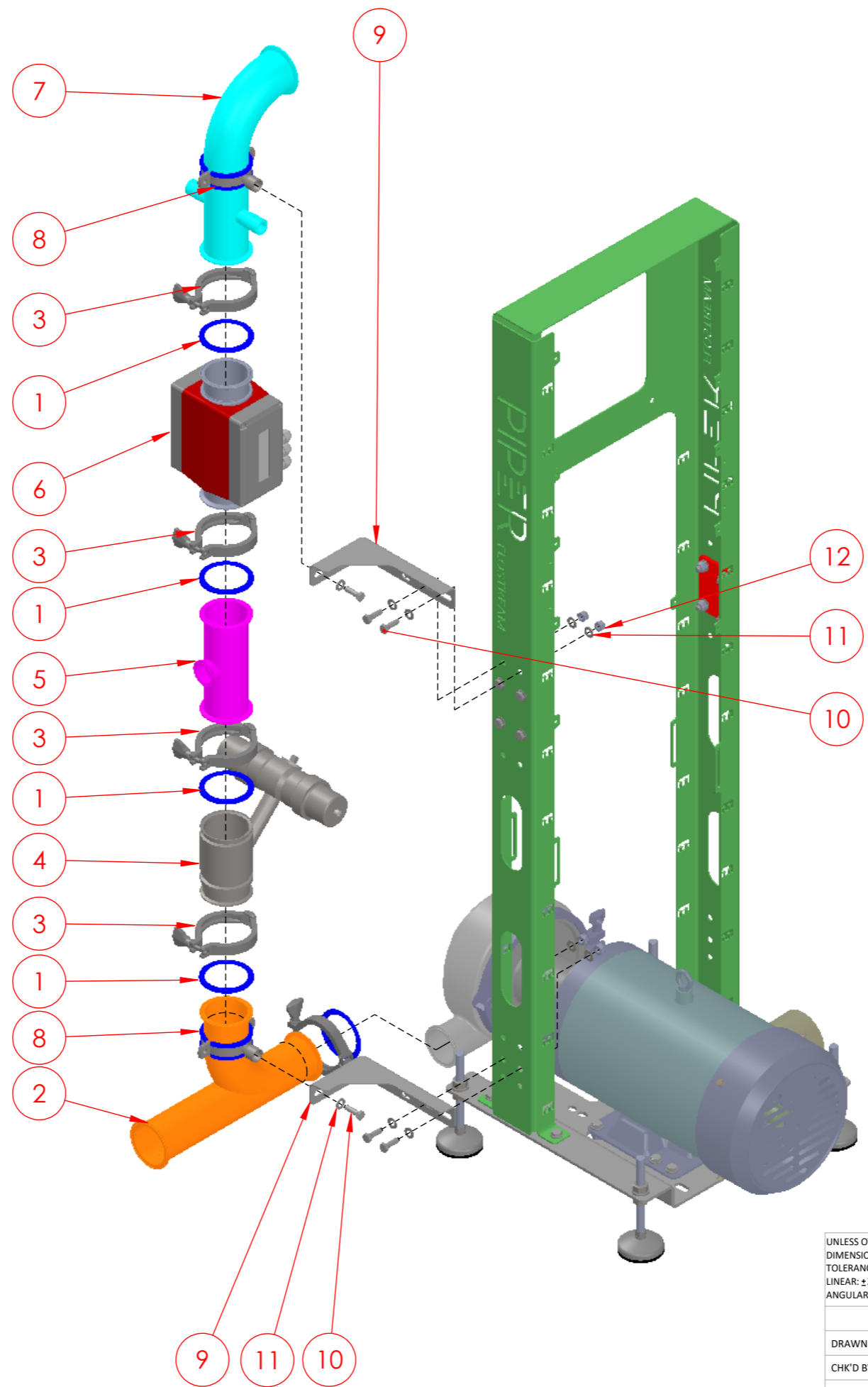
PIPER **Piper Systems Ltd.,**
Unit 3,
Sunnybank Business Centre
Bray, Co. Wicklow, Ireland.
PH:+353 (0)1 282 9844
www.pipersystems.com

EVERY PRECIOUS DROP

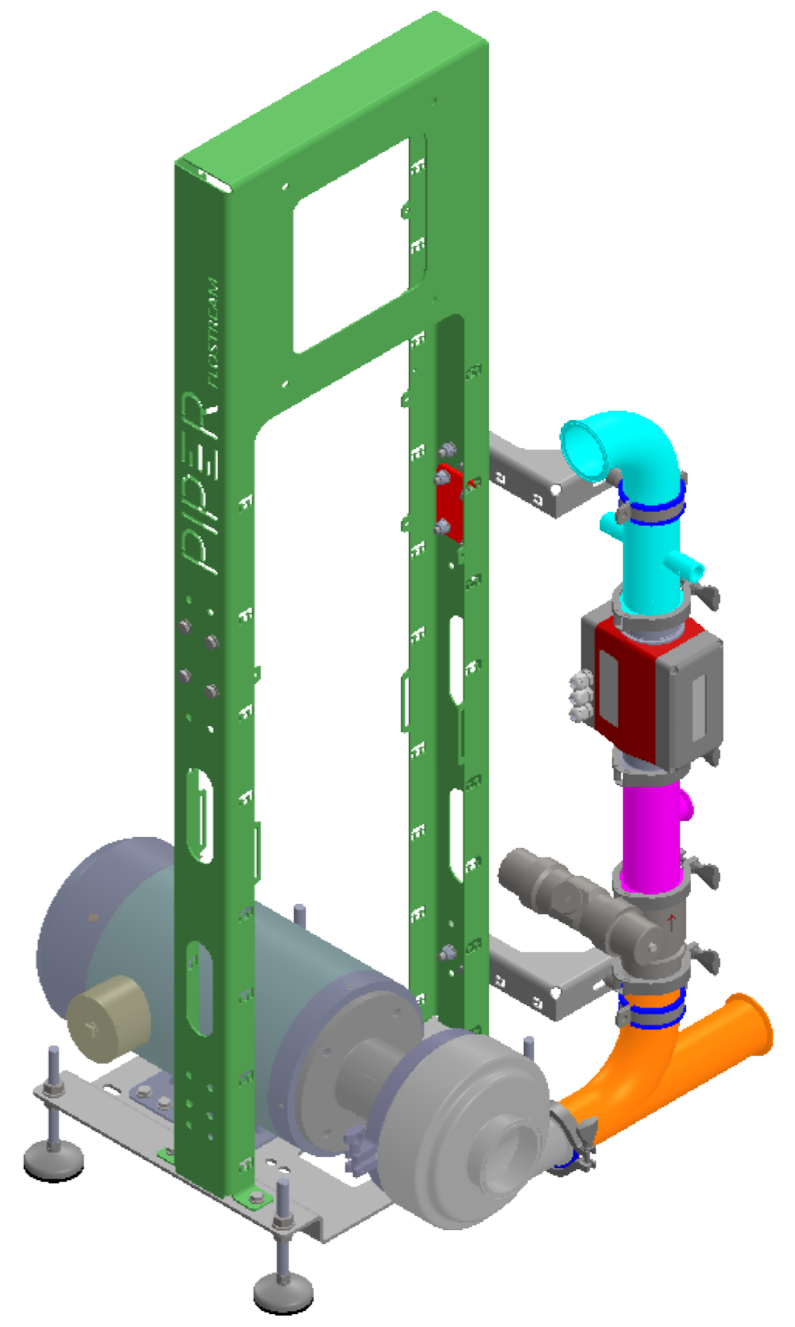
BOM Table

DOCUMENT PREVIEW	ITEM NO.	DESCRIPTION	QTY.
	1	3" Triclover Gasket	5
	2	3" Swept Tee	1
	3	3" Triclover Clamp	5
	4	Lumaco 3" BF Valve	1
	5	3" x 1.5" Reducing Tee-Clamped	1
	6	PD340 Flowmeter	1
	7	Double Sensor Spool	1
	8	Rubber Lined Pipe Clip	2
	9	Pipe Clip Bracket	2
	10	M10 x 30 Hex Head A4-80	6
	11	M10 Flat Washer	10
	12	M10 Locknut	4

STEP 5

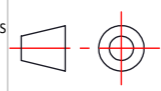


EXPLODED ISOMETRIC VIEW



ISOMETRIC VIEW

UNLESS OTHERWISE SPECIFIED:
 DIMENSIONS ARE IN MILLIMETERS
 TOLERANCES:
 LINEAR: ±2mm
 ANGULAR: ±1°



NAME	DATE
DRAWN BY: R Wilson	23/01/2026
CHK'D BY:	
MATERIAL:	
FINISH:	

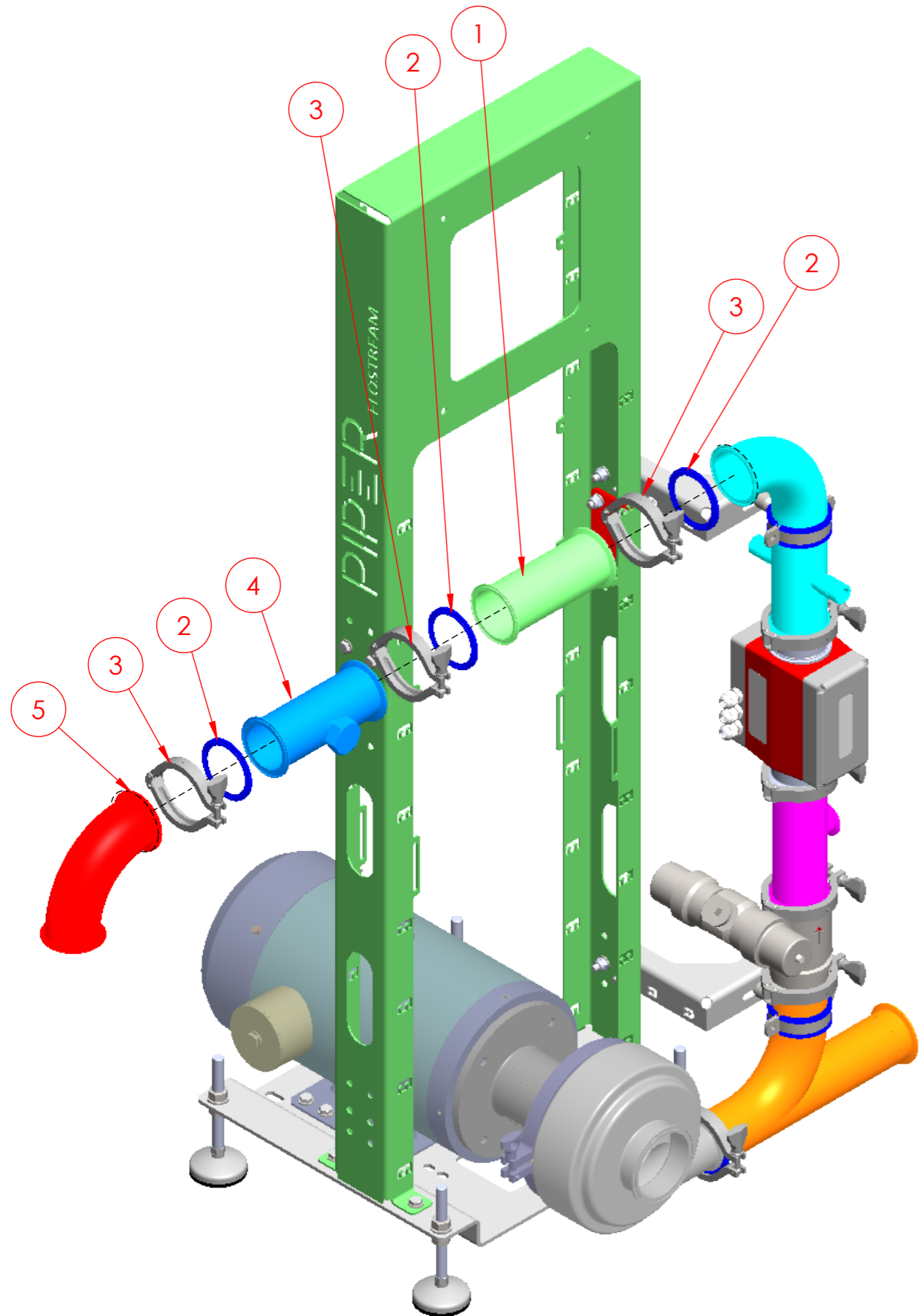
PIPER **Piper Systems Ltd.,**
 Unit 3,
 Sunnybank Business Centre
 Bray, Co. Wicklow, Ireland.
 PH:+353 (0)1 282 9844
 www.pipersystems.com

Client:
Piper Systems

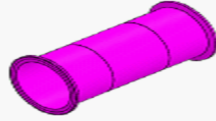
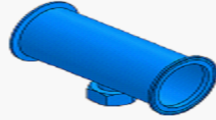
THIS DRAWING AND DESIGN REMAINS THE PROPERTY OF PIPER SYSTEMS LTD. IT MAY NOT BE REPRODUCED IN WHOLE OR PART OR USED FOR MANUFACTURING PURPOSES WITHOUT PRIOR WRITTEN CONSENT FROM PIPER SYSTEMS LTD.

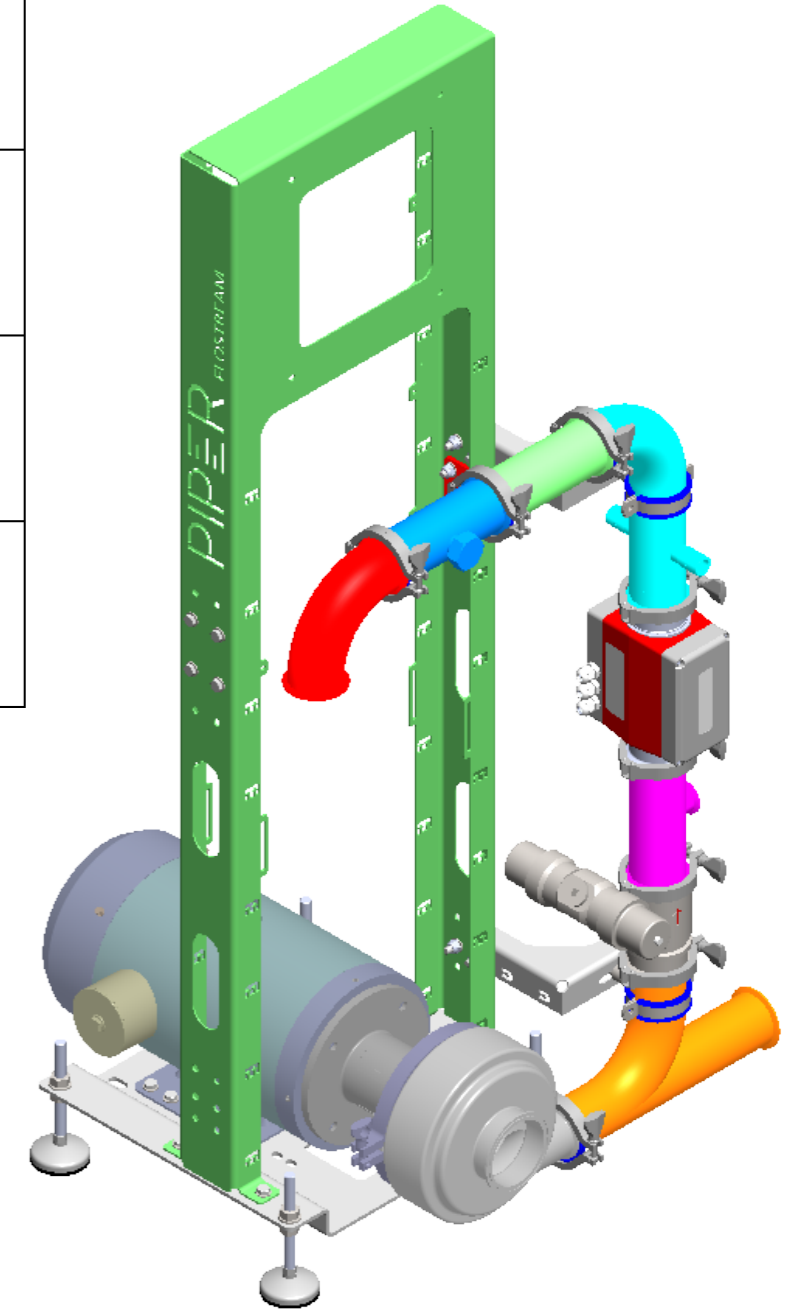
Project:
6934-ASM-Instructions

STEP 6



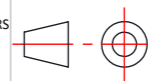
EXPLODED ISOMETRIC VIEW

BOM Table			
DOCUMENT PREVIEW	ITEM NO.	DESCRIPTION	QTY.
	1	Sampling Tee Spool	1
	2	3" Triclover Gasket	3
	3	3" Triclover Clamp	3
	4	7 Port Sampling Tee	1
	5	3" 90 Deg Elbow C_C	1



ISOMETRIC VIEW

UNLESS OTHERWISE SPECIFIED:
 DIMENSIONS ARE IN MILLIMETERS
 TOLERANCES:
 LINEAR: ±2mm
 ANGULAR: ±1°



NAME	DATE
DRAWN BY: R Wilson	23/01/2026
CHK'D BY:	
MATERIAL:	
FINISH:	

THIS DRAWING AND DESIGN REMAINS THE PROPERTY OF PIPER SYSTEMS LTD. IT MAY NOT BE REPRODUCED IN WHOLE OR PART OR USED FOR MANUFACTURING PURPOSES WITHOUT PRIOR WRITTEN CONSENT FROM PIPER SYSTEMS LTD.

DEBUR AND BREAK SHARP EDGES

PIPER
 EVERY PRECIOUS DROP

Piper Systems Ltd.,
 Unit 3,
 Sunnybank Business Centre
 Bray, Co. Wicklow, Ireland.
 PH:+353 (0)1 282 9844
 www.pipersystems.com

Client:
 Piper Systems

Project:
 6934-ASM-Instructions

DO NOT SCALE DRAWING

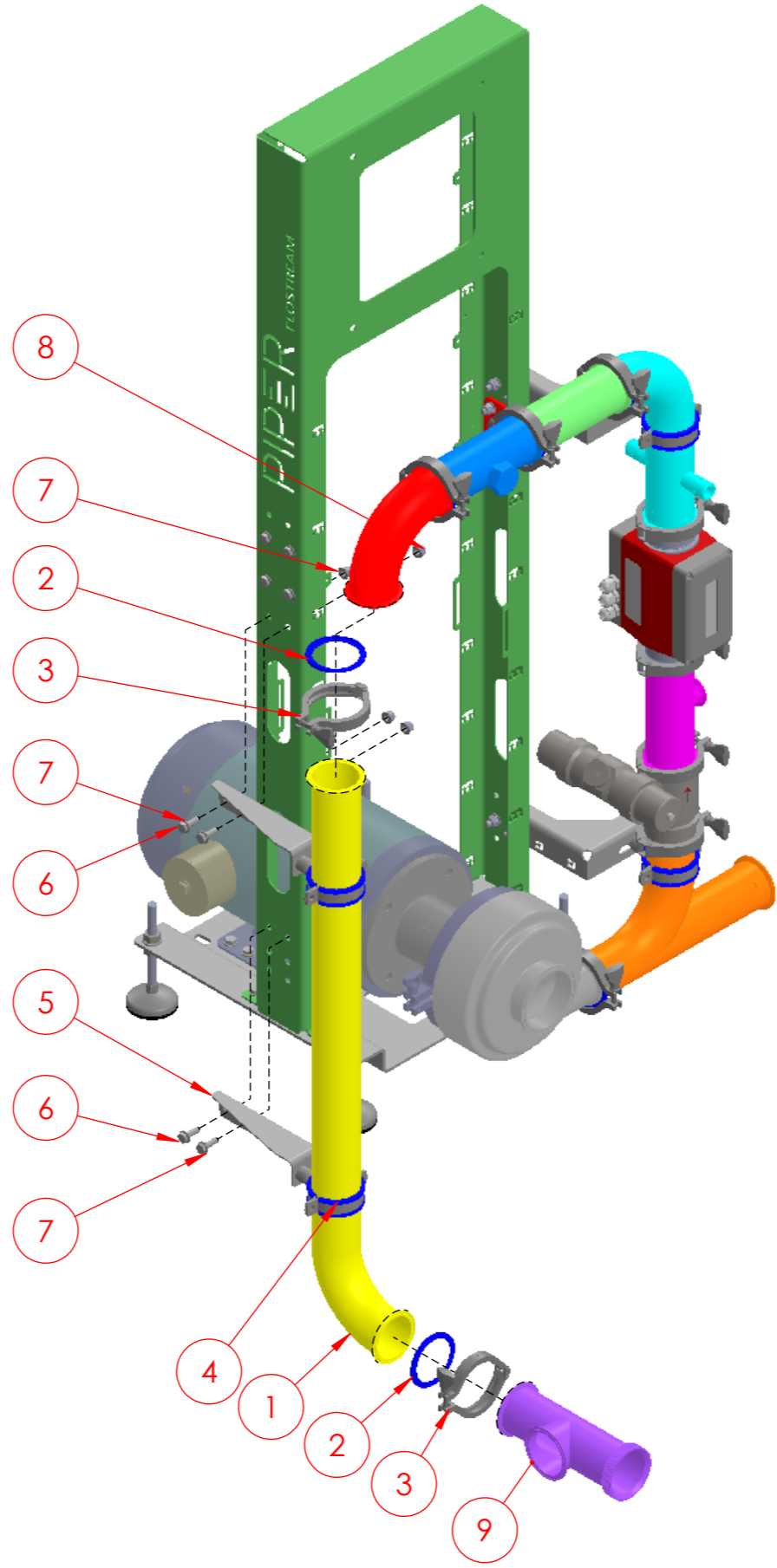
SHEET 8 OF 13

A3
 REVISION

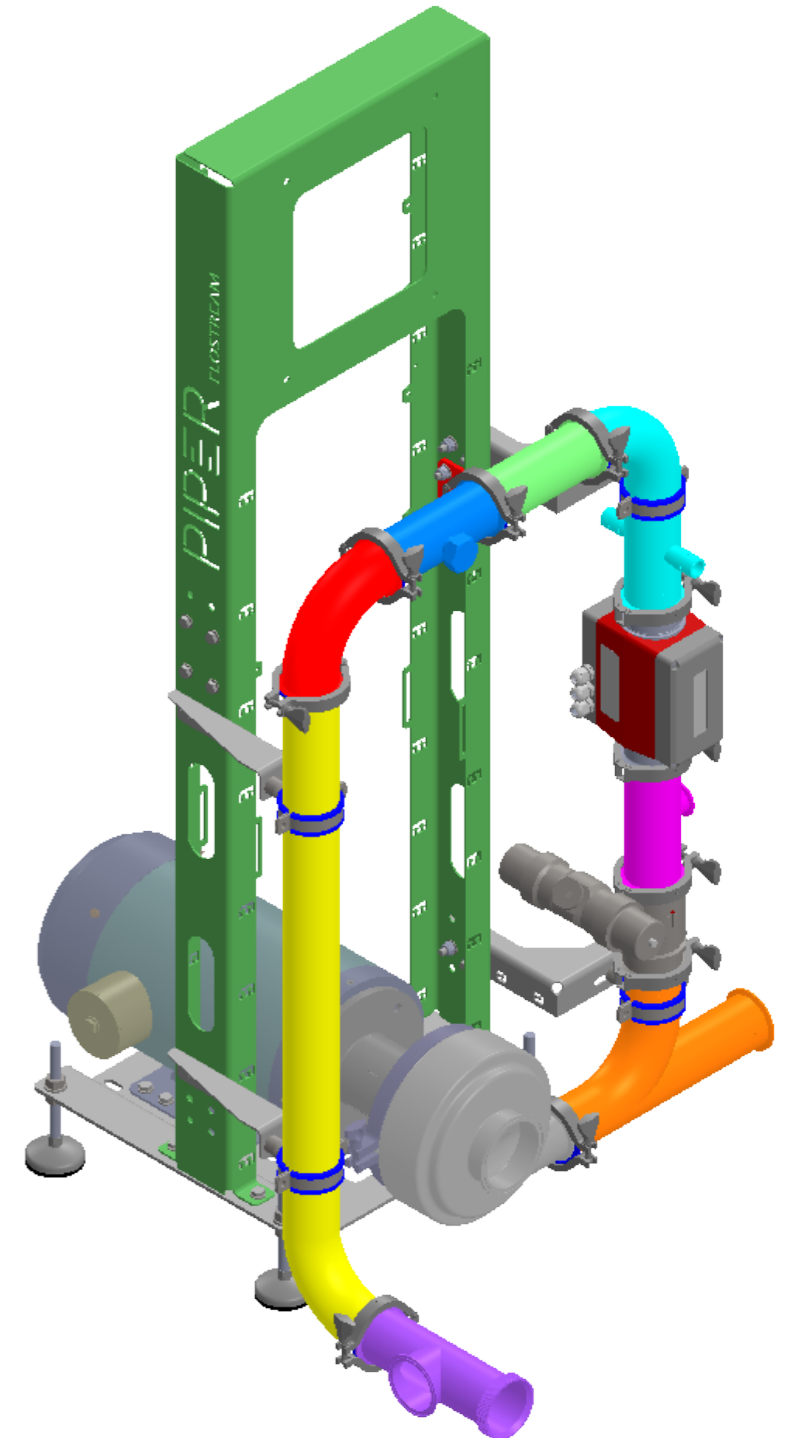
STEP 7

BOM Table

DOCUMENT PREVIEW	ITEM NO.	DESCRIPTION	QTY.
	1	Vertical Spool	1
	2	3" Triclover Gasket	2
	3	3" Triclover Clamp	2
	4	Rubber Lined Pipe Clip	2
	5	Pipe Clip Bracket	2
	6	M10 x 30 Hex Head A4-80	4
	7	M10 Flat Washer	8
	8	M10 Locknut	4
	9	End Connection Spool	1



EXPLODED ISOMETRIC VIEW



ISOMETRIC VIEW

UNLESS OTHERWISE SPECIFIED:
DIMENSIONS ARE IN MILLIMETERS
TOLERANCES:
LINEAR: ±2mm
ANGULAR: ±1°

NAME	DATE
DRAWN BY: R Wilson	23/01/2026
CHK'D BY:	
MATERIAL:	
FINISH:	

THIS DRAWING AND DESIGN REMAINS THE PROPERTY OF PIPER SYSTEMS LTD. IT MAY NOT BE REPRODUCED IN WHOLE OR PART OR USED FOR MANUFACTURING PURPOSES WITHOUT PRIOR WRITTEN CONSENT FROM PIPER SYSTEMS LTD.

DEBUR AND BREAK SHARP EDGES

PIPER EVERY PRECIOUS DROP

Piper Systems Ltd.,
Unit 3,
Sunnybank Business Centre
Bray, Co. Wicklow, Ireland.
PH:+353 (0)1 282 9844
www.pipersystems.com

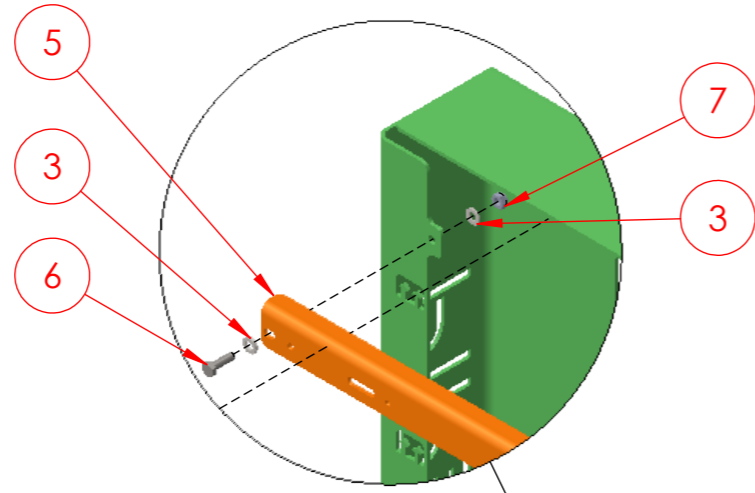
Client:
Piper Systems

Project:
6934-ASM-Instructions

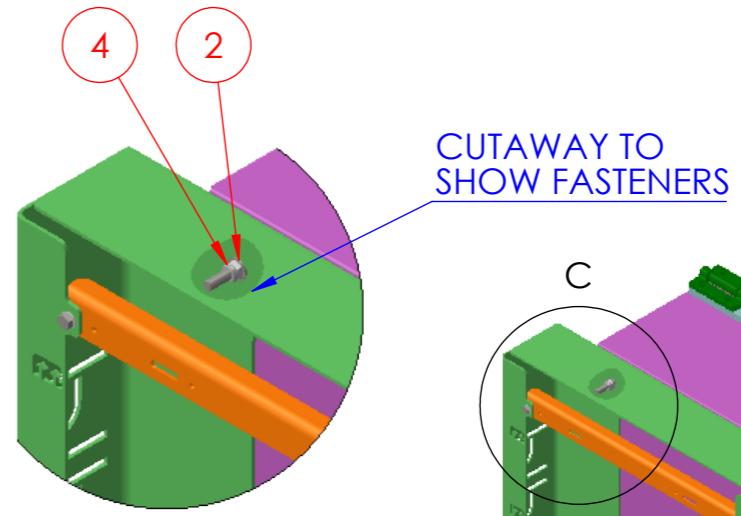
A3
REVISION

DO NOT SCALE DRAWING SHEET 9 OF 13

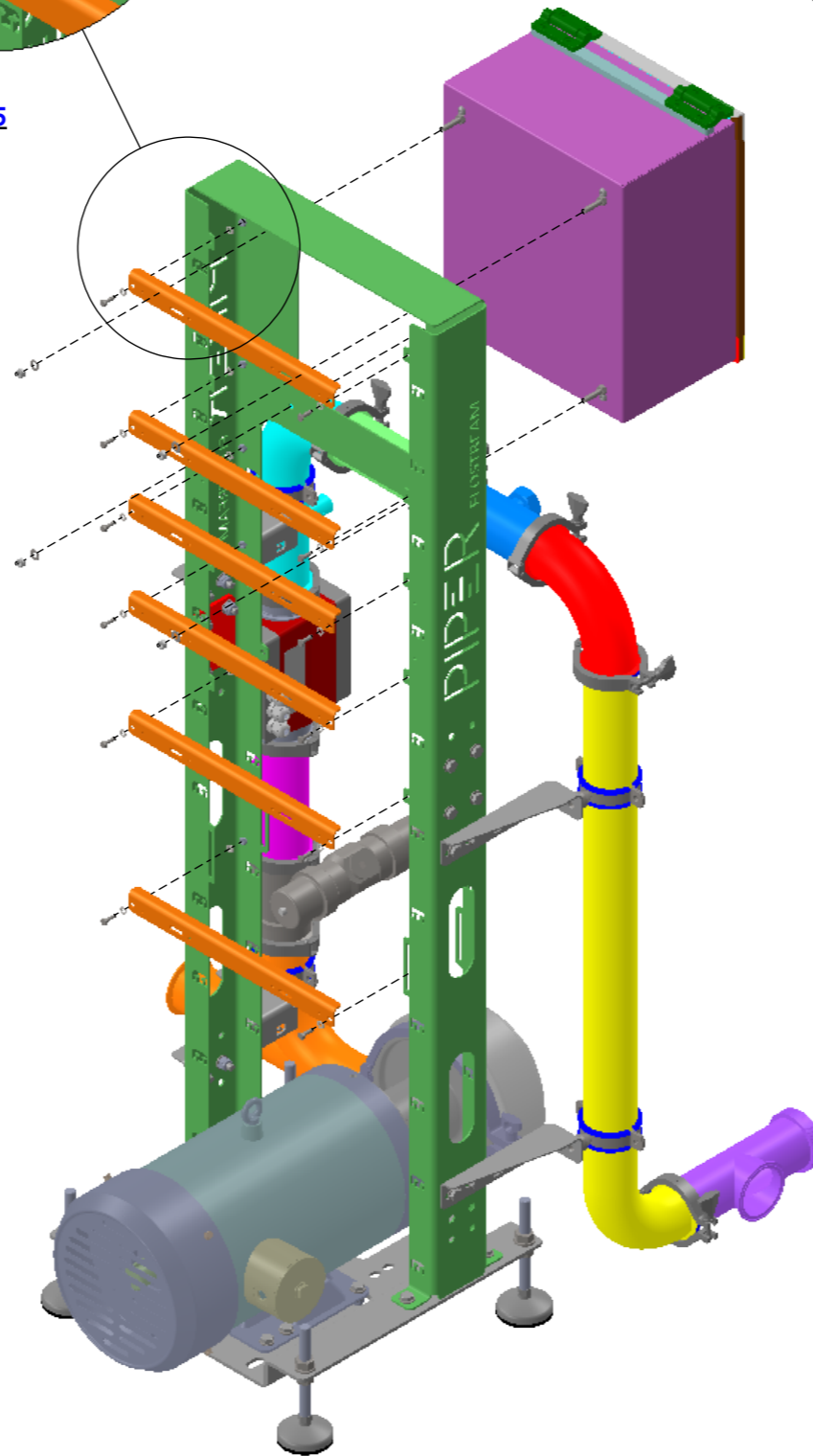
STEP 8



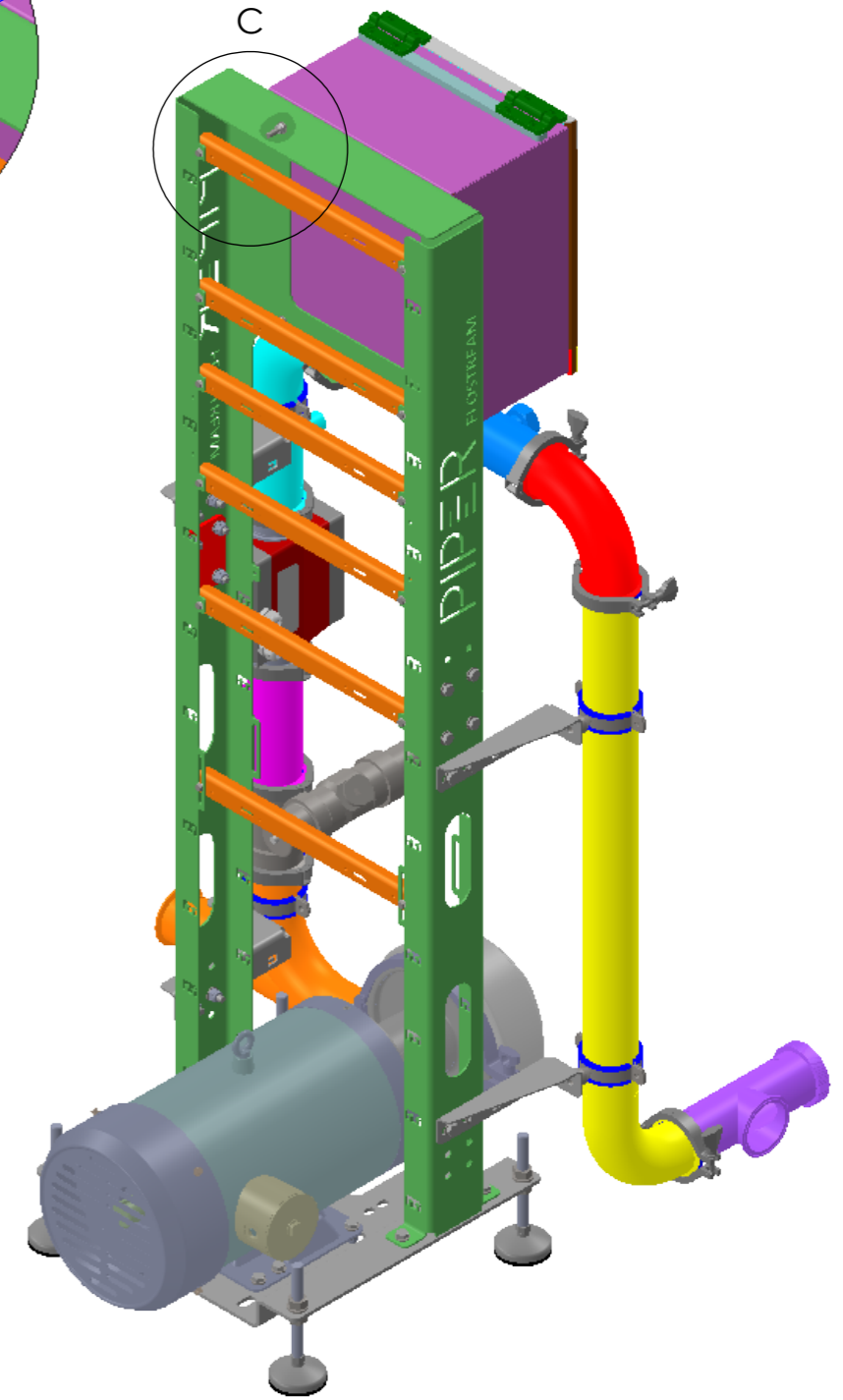
DETAIL D
SCALE 1 : 5



CUTAWAY TO SHOW FASTENERS



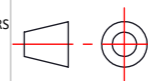
EXPLODED ISOMETRIC VIEW



ISOMETRIC VIEW

BOM Table			
DOCUMENT PREVIEW	ITEM NO.	DESCRIPTION	QTY.
	1	TS7 Enclosure	1
	2	M8 Flat Washer	4
	3	M6 Flat Washer	24
	4	M8 Locknut	4
	5	Mounting Strap	6
	6	M6 x 20 Hex Bolt	12
	7	M6 Nyloc Nut	12

UNLESS OTHERWISE SPECIFIED:
DIMENSIONS ARE IN MILLIMETERS
TOLERANCES:
LINEAR: ±2mm
ANGULAR: ±1°



NAME	DATE
DRAWN BY: R Wilson	23/01/2026
CHK'D BY:	
MATERIAL:	
FINISH:	

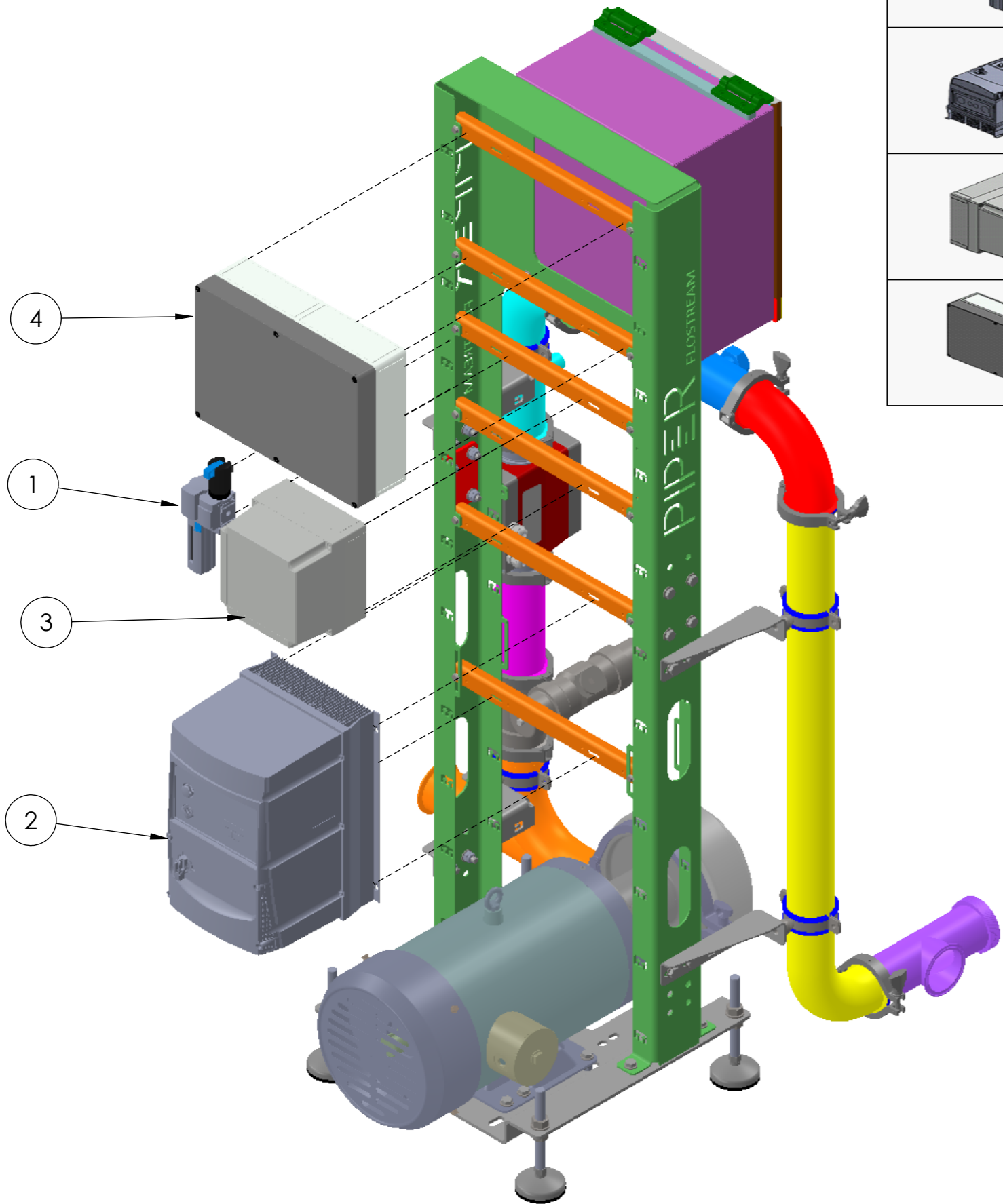
PIPER
EVERY PRECIOUS DROP

Piper Systems Ltd.,
Unit 3,
Sunnybank Business Centre
Bray, Co. Wicklow, Ireland.
PH:+353 (0)1 282 9844
www.pipersystems.com

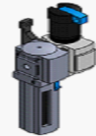
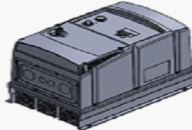
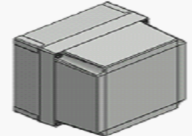
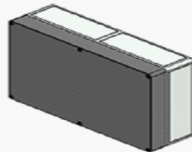
THIS DRAWING AND DESIGN REMAINS THE PROPERTY OF PIPER SYSTEMS LTD. IT MAY NOT BE REPRODUCED IN WHOLE OR PART OR USED FOR MANUFACTURING PURPOSES WITHOUT PRIOR WRITTEN CONSENT FROM PIPER SYSTEMS LTD.

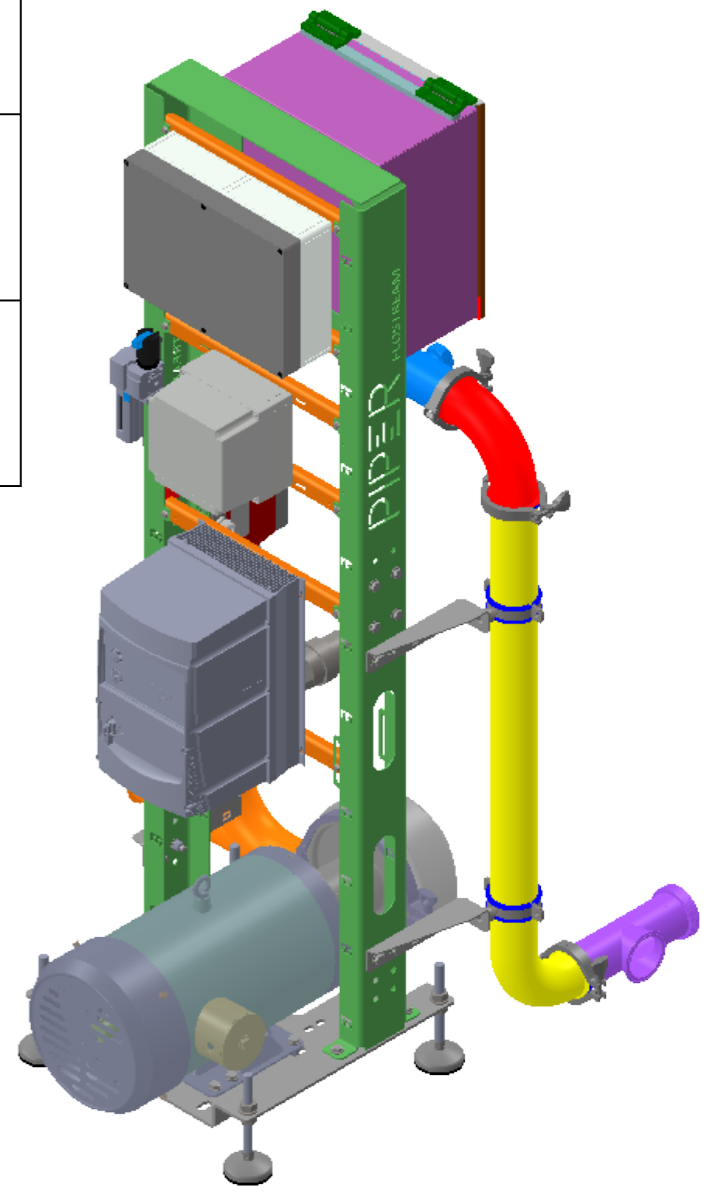
Client:	Piper Systems	Project:	6934-ASM-Instructions	A3
DO NOT SCALE DRAWING				REVISION

STEP 9



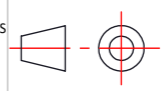
EXPLODED ISOMETRIC VIEW

BOM Table			
DOCUMENT PREVIEW	ITEM NO.	DESCRIPTION	QTY.
	1	Air Prep Unit	1
	2	Invertex VSD	1
	3	Electrical Enclosure	1
	4	Air Box	1



ISOMETRIC VIEW

UNLESS OTHERWISE SPECIFIED:
 DIMENSIONS ARE IN MILLIMETERS
 TOLERANCES:
 LINEAR: ±2mm
 ANGULAR: ±1°



NAME	DATE
DRAWN BY: R Wilson	23/01/2026
CHK'D BY:	
MATERIAL:	
FINISH:	

THIS DRAWING AND DESIGN REMAINS THE PROPERTY OF PIPER SYSTEMS LTD. IT MAY NOT BE REPRODUCED IN WHOLE OR PART OR USED FOR MANUFACTURING PURPOSES WITHOUT PRIOR WRITTEN CONSENT FROM PIPER SYSTEMS LTD.

DEBUR AND BREAK SHARP EDGES

PIPER

EVERY PRECIOUS DROP

Piper Systems Ltd.,
 Unit 3,
 Sunnybank Business Centre
 Bray, Co. Wicklow, Ireland.
 PH:+353 (0)1 282 9844
 www.pipersystems.com

Client:
Piper Systems

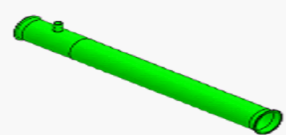


Project:
6934-ASM-Instructions

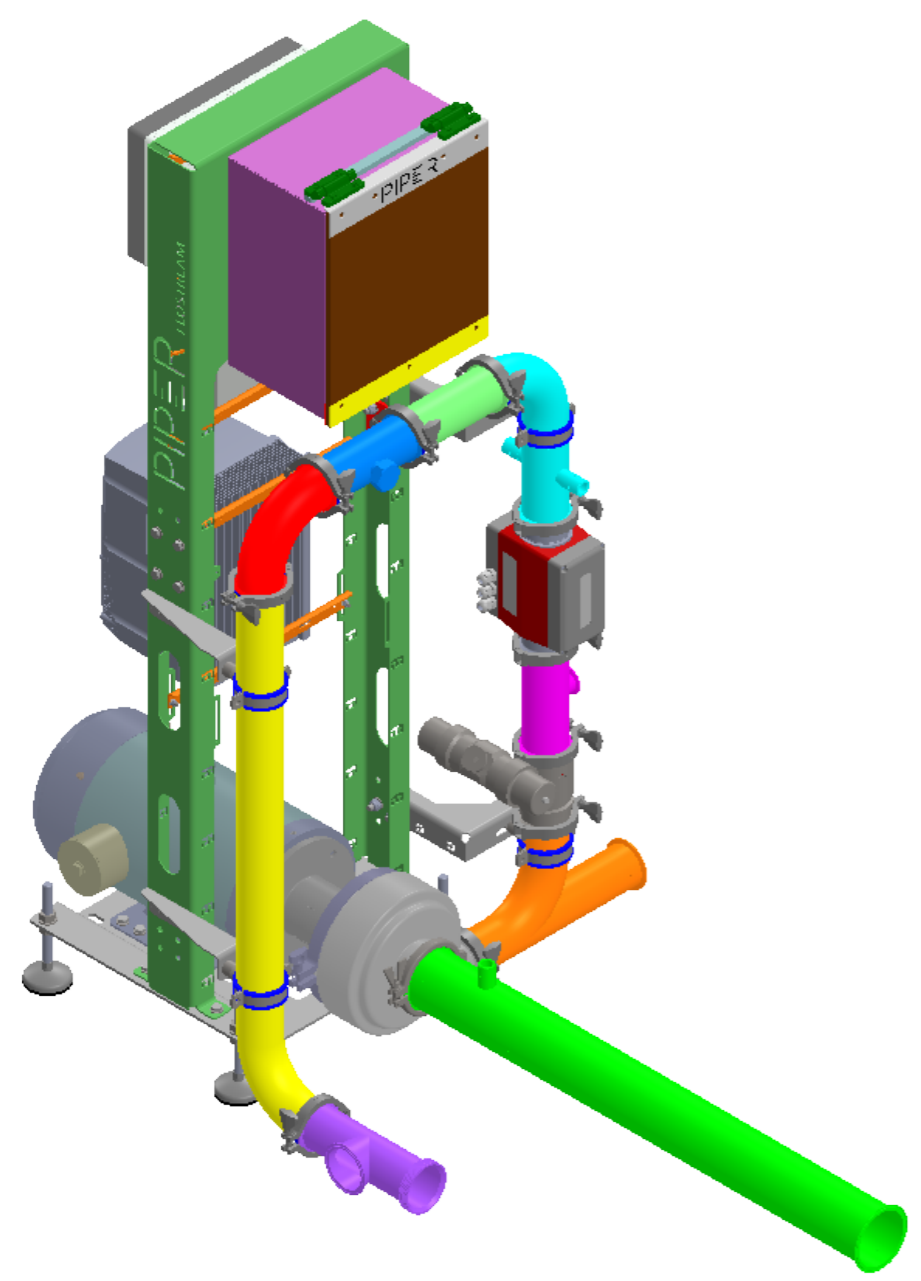
DO NOT SCALE DRAWING

SHEET 11 OF 13

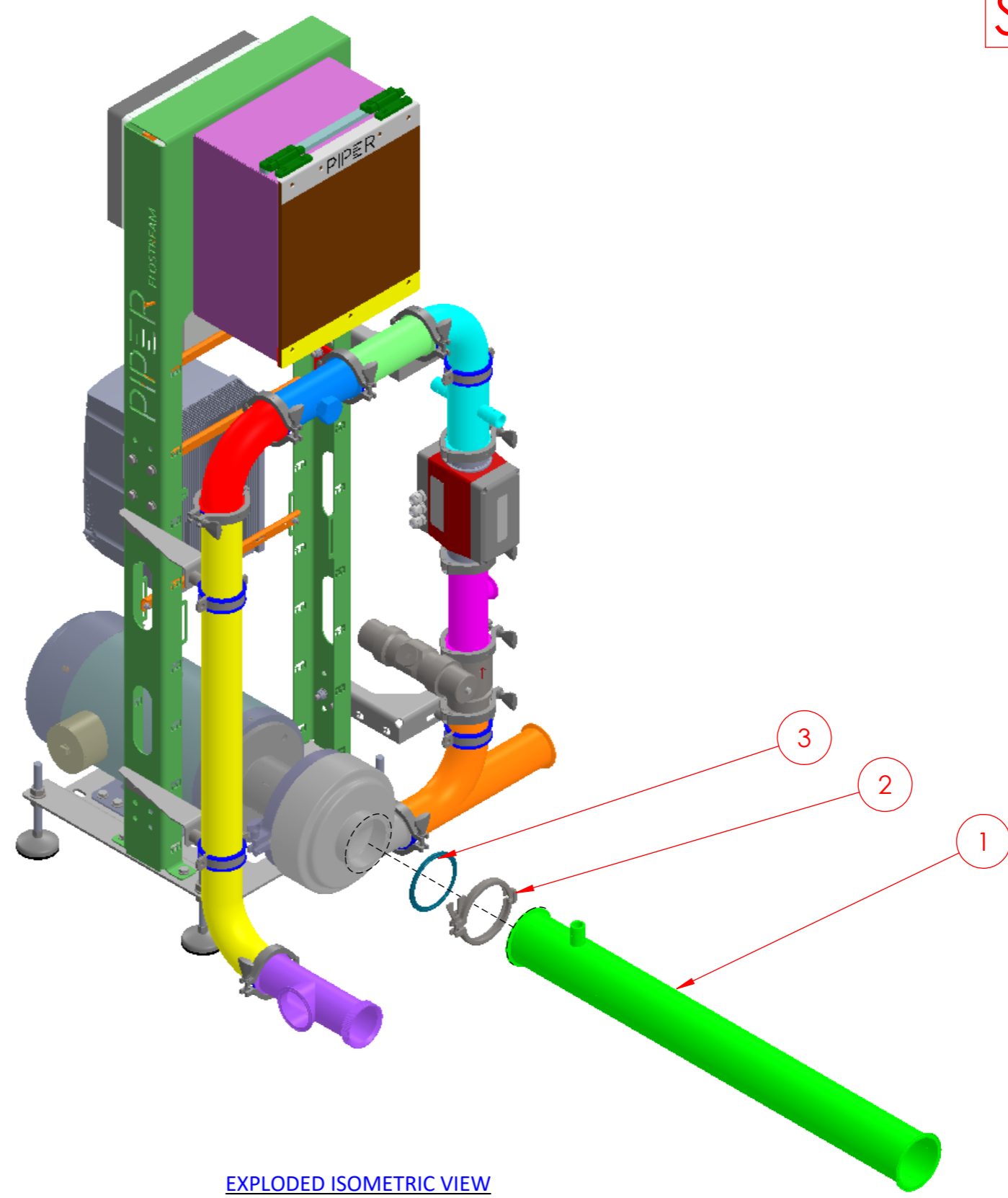
A3
 REVISION

BOM Table

DOCUMENT PREVIEW	ITEM NO.	DESCRIPTION	QTY.
	1	Pump Suction Pipe	1
	2	4" Triclover Clamp	1
	3	4" Triclover Gasket	1



ISOMETRIC VIEW



EXPLODED ISOMETRIC VIEW

UNLESS OTHERWISE SPECIFIED:
DIMENSIONS ARE IN MILLIMETERS
TOLERANCES:
LINEAR: ±2mm
ANGULAR: ±1°

NAME	DATE
DRAWN BY: R Wilson	23/01/2026
CHK'D BY:	
MATERIAL:	
FINISH:	

THIS DRAWING AND DESIGN REMAINS THE PROPERTY OF PIPER SYSTEMS LTD. IT MAY NOT BE REPRODUCED IN WHOLE OR PART OR USED FOR MANUFACTURING PURPOSES WITHOUT PRIOR WRITTEN CONSENT FROM PIPER SYSTEMS LTD.

DEBUR AND BREAK SHARP EDGES

PIPER EVERY PRECIOUS DROP

Piper Systems Ltd.,
Unit 3,
Sunnybank Business Centre
Bray, Co. Wicklow, Ireland.
PH:+353 (0)1 282 9844
www.pipersystems.com

Client:
Piper Systems




Project:
6934-ASM-Instructions

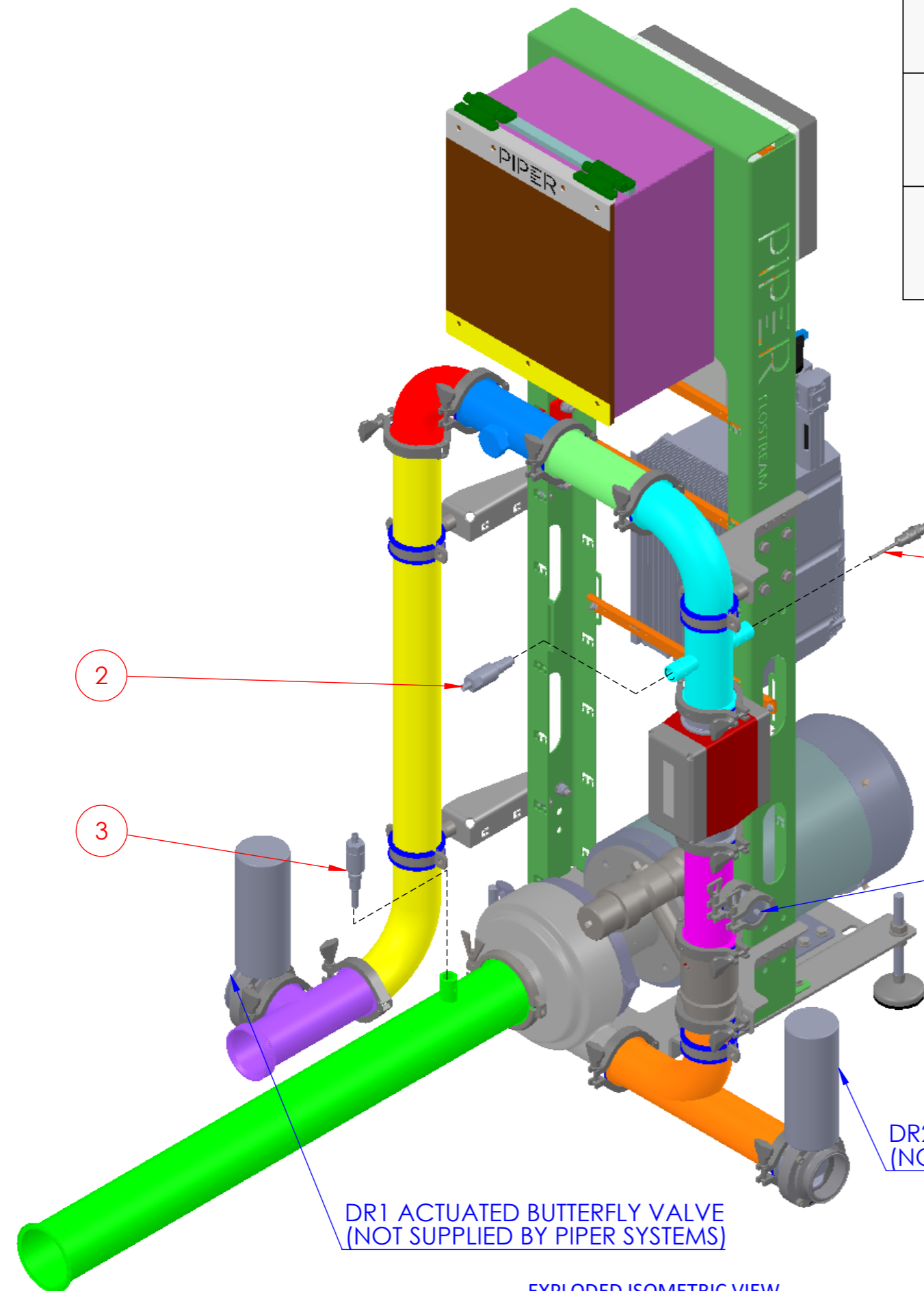
DO NOT SCALE DRAWING

SHEET 12 OF 13

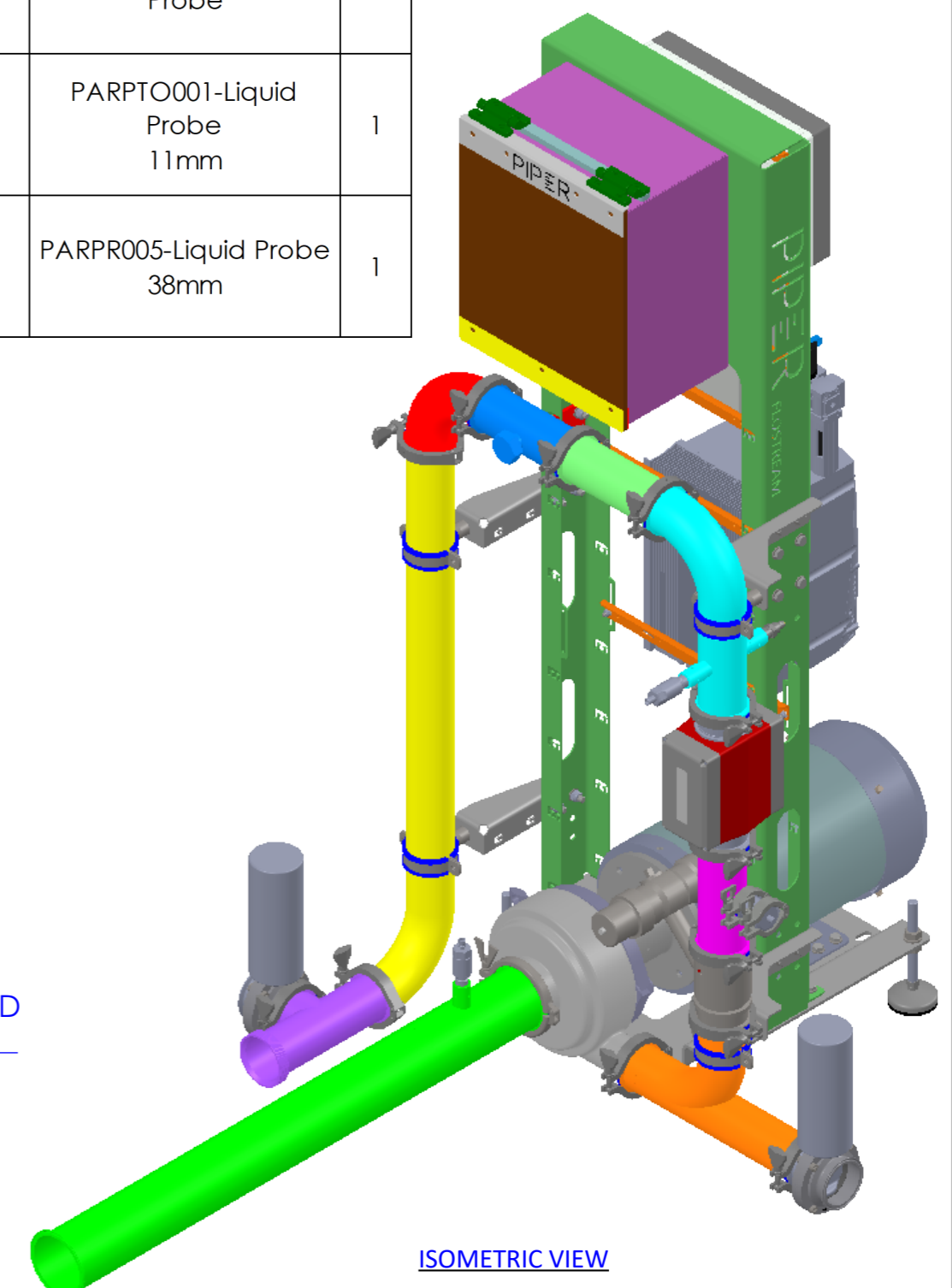
A3
REVISION

STEP 11

BOM Table			
DOCUMENT PREVIEW	ITEM NO.	DESCRIPTION	QTY.
	1	PARPRO0002-Temp Probe	1
	2	PARPTO001-Liquid Probe 11mm	1
	3	PARPR005-Liquid Probe 38mm	1



EXPLODED ISOMETRIC VIEW



ISOMETRIC VIEW

UNLESS OTHERWISE SPECIFIED:
DIMENSIONS ARE IN MILLIMETERS
TOLERANCES:
LINEAR: ±2mm
ANGULAR: ±1°

NAME	DATE
DRAWN BY: R Wilson	23/01/2026
CHK'D BY:	
MATERIAL:	
FINISH:	

THIS DRAWING AND DESIGN REMAINS THE PROPERTY OF PIPER SYSTEMS LTD. IT MAY NOT BE REPRODUCED IN WHOLE OR PART OR USED FOR MANUFACTURING PURPOSES WITHOUT PRIOR WRITTEN CONSENT FROM PIPER SYSTEMS LTD.

DEBUR AND BREAK SHARP EDGES

PIPER **Piper Systems Ltd.,**
Unit 3,
Sunnybank Business Centre
Bray, Co. Wicklow, Ireland.
PH:+353 (0)1 282 9844
www.pipersystems.com

EVERY PRECIOUS DROP

Client:	Piper Systems
Project:	6934-ASM-Instructions
Revision:	A3

DO NOT SCALE DRAWING SHEET 13 OF 13